

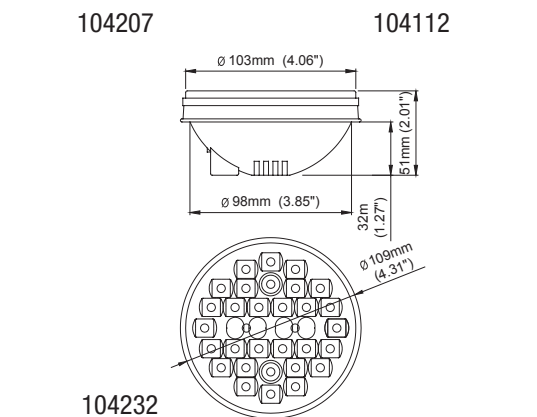
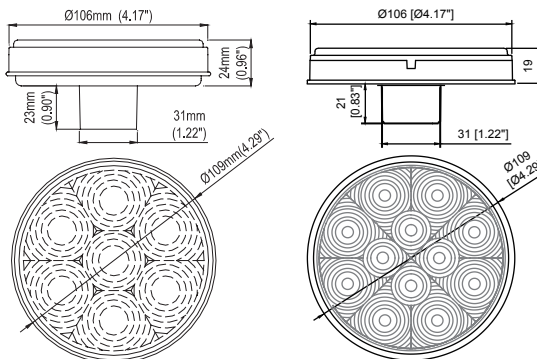
LED STOP TAIL TURN LIGHTS

4" Round LED Tail Light Grommet Mount, STOP/TAIL/TURN

4" LED 尾灯胶圈安装, 刹车 / 指示 / 转向

- Standard 4" Round STT Light series, PVC grommet mount, interchangeable with most brands
- Versions of 7 LEDs, 12 LEDs or 32 LEDs; super bright SMD LEDs of long life span up to 50,000 hours
- Engineered lens optics
- PC lens and housing welded together to ensure a permanent and water proof seal
- Standard right angle 3-prong plug assembly
- Right angle 3-prong plug assembly, PVC grommet mounting; also available in flange mount version by special order
- Meets DOT FMVSS 108/SAE requirements except Amber versions of 7 LEDs(104207A)
- Rated for 12V, tested to 13.8V
- Also available in multi-voltage 10~30V operating range, or 24V by special order only

Part No.	Description	Input Voltage	LED Count	LED Type	Lighting Color	Current Draw at 13.8V
104207R	Grommet Kit Red	12 V	7	SMD	Red	0.02/0.13 A
104207RL	Lamp Only Red	12 V	7	SMD	Red	0.02/0.13 A
104207A	Grommet Kit Amber	12 V	7	SMD	Amber	0.02/0.13 A
104207AL	Lamp Only Amber	12 V	7	SMD	Amber	0.02/0.13 A
104207C	Grommet Kit Clear White	12 V	7	SMD	White	0.30 A
104207CL	Lamp Only Clear White	12 V	7	SMD	White	0.30 A
104112R	Grommet Kit Red	12 V	12	SMD	Red	0.02/0.19 A
104112RL	Lamp Only Red	12 V	12	SMD	Red	0.02/0.19 A
104112A	Grommet Kit Amber	12 V	12	SMD	Amber	0.02/0.19 A
104112AL	Lamp Only Amber	12 V	12	SMD	Amber	0.02/0.19 A
104112C	Grommet Kit Clear White	12 V	12	SMD	White	0.35 A
104112CL	Lamp Only Clear White	12 V	12	SMD	White	0.35 A
104232R	Grommet Kit Red	12 V	32	SMD	Red	0.02/0.31 A
104232RL	Lamp Only Red	12 V	32	SMD	Red	0.02/0.31 A
104232A	Grommet Kit Amber	12 V	32	SMD	Amber	0.02/0.31 A
104232AL	Lamp Only Amber	12 V	32	SMD	Amber	0.02/0.31 A
104232C	Grommet Kit Clear White	12 V	32	SMD	White	0.30 A
104232CL	Lamp Only Clear White	12 V	32	SMD	White	0.30 A
104207RM	Grommet Kit Red Multi-voltage	12~24 V	7	SMD	Red	0.02/0.11 A
104207AM	Grommet Kit Amber Multi-voltage	12~24 V	7	SMD	Amber	0.02/0.11 A
104207CM	Grommet Kit C.W. Multi-voltage	12~24 V	7	SMD	White	0.20 A
104112RM	Grommet Kit Red Multi-voltage	12~24 V	12	SMD	Red	0.02/0.11 A
104112AM	Grommet Kit Amber Multi-voltage	12~24 V	12	SMD	Amber	0.02/0.11 A
104112CM	Grommet Kit C.W. Multi-voltage	12~24 V	12	SMD	White	0.16 A
104232RM	Grommet Kit Red Multi-voltage	12~24 V	32	SMD	Red	0.02/0.22 A
104232AM	Grommet Kit Amber Multi-voltage	12~24 V	32	SMD	Amber	0.02/0.22 A
104232CM	Grommet Kit C.W. Multi-voltage	12~24 V	32	SMD	White	0.21 A
104200G	Standard Grommet only for 4" Round Light					
906403P	Standard Right Angle 3-Prong Plug for 4" Round Light					



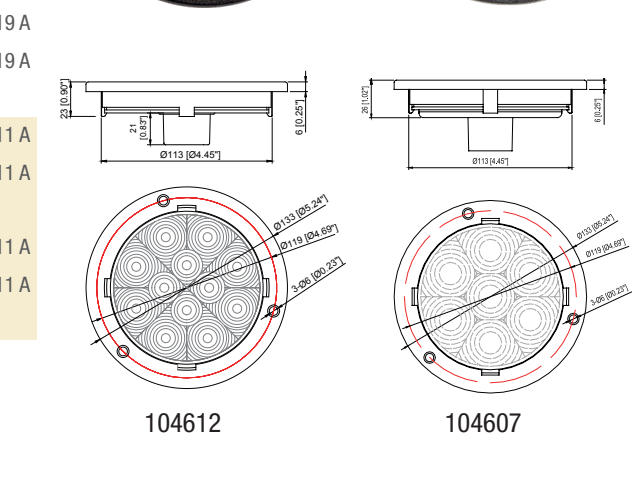
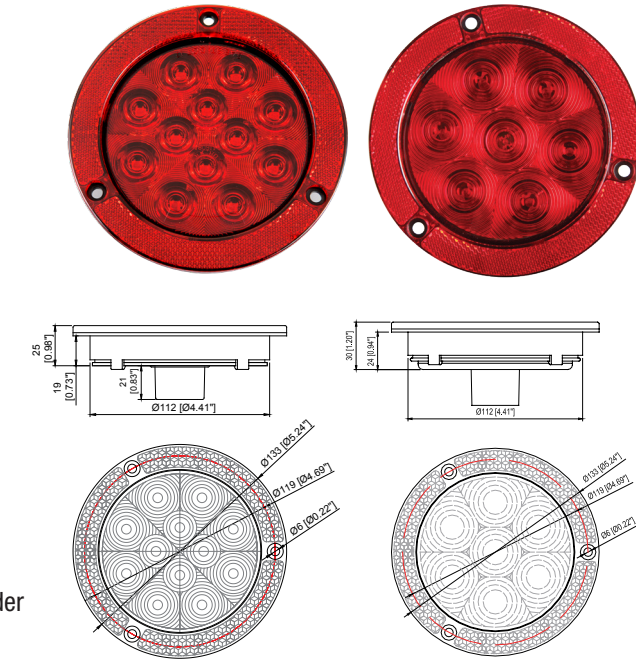
LED STOP TAIL TURN LIGHTS

4" Round LED Light Stop/Tail/Turn, Flange Mount w/ Reflex Ring

4" Round LED Light Stop/Tail/Turn, Flange Mount Plain Ring

- Standard 4" Round STT Light series, flange mount with reflex ring or plain surface ring
- Versions of 7 LEDs and 12 LEDs; super bright SMD LEDs of long life span up to 50,000 hours
- Stop, Turn, Tail functions combined.
- Engineered lens optics
- PC lens and housing welded together to ensure a permanent and water proof seal.
- Standard right angle 3-prong plug assembly
- Right angle 3-prong plug assembly
- Meets DOT FMVSS 108/SAE requirements except Amber version of 7 LEDs (104207A)
- Rated for 12V, tested to 13.8V
- Also available in multi-voltage 10~30V operating range or 24V by special order

Part No.	Description	Input Voltage	LED Count	LED Type	Lighting Color	Current Draw at 13.8V
104307R	Flange Mount Reflex Ring Red	12 V	7	SMD	Red	0.02/0.13 A
104312R	Flange Mount Reflex Ring Red	12 V	12	SMD	Red	0.02/0.19 A
104312A	Flange Mount Reflex Ring Amber	12 V	12	SMD	Amber	0.02/0.19 A
104312C	Flange Mount Reflex Ring Clear White	12 V	12	SMD	White	0.30 A
104307RM	Flange Mount Reflex Ring Red M.V.	12~24 V	7	SMD	Red	0.02/0.11 A
104307AM	Flange Mount Reflex Ring Amber M.V.	12~24 V	7	SMD	Amber	0.02/0.11 A
104307CM	Flange Mount Reflex Ring White M.V.	12~24 V	7	SMD	White	0.20 A
104312RM	Flange Mount Reflex Ring Red M.V.	12~24 V	12	SMD	Red	0.02/0.11 A
104312AM	Flange Mount Reflex Ring Amber M.V.	12~24 V	12	SMD	Amber	0.02/0.11 A
104312CM	Flange Mount Reflex Ring White M.V.	12~24 V	12	SMD	White	0.16 A
104607R	Flange Mount Plain Ring Red	12 V	7	SMD	Red	0.02/0.13 A
104612R	Flange Mount Plain Ring Red	12 V	12	SMD	Red	0.02/0.19 A
104612A	Flange Mount Plain Ring Amber	12 V	12	SMD	Amber	0.02/0.19 A
104612C	Flange Mount Plain Ring Clear White	12 V	12	SMD	White	0.30 A
104607RM	Flange Mount Plain Ring Red M.V.	12~24 V	7	SMD	Red	0.02/0.11 A
104607AM	Flange Mount Plain Ring Amber M.V.	12~24 V	7	SMD	Amber	0.02/0.11 A
104607CM	Flange Mount Plain Ring White M.V.	12~24 V	7	SMD	White	0.20 A
104612RM	Flange Mount Plain Ring Red M.V.	12~24 V	12	SMD	Red	0.02/0.11 A
104612AM	Flange Mount Plain Ring Amber M.V.	12~24 V	12	SMD	Amber	0.02/0.11 A
104612CM	Flange Mount Plain Ring White M.V.	12~24 V	12	SMD	White	0.16 A
906403P	Standard Right Angle 3 Prong Plug for 4" Round Light					
104300FL	Flange Mount Bracket with Reflex Ring only					

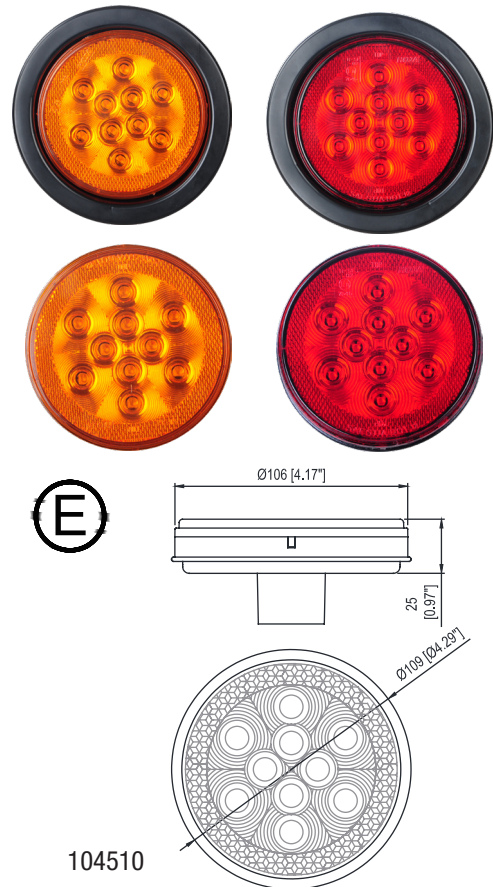


LED STOP TAIL TURN LIGHTS

4" Round LED Light Stop/Tail/Turn w/ Reflex Lens 4" 圆形 LED 尾灯，灯罩带反射

- Engineered lens optics with reflex reflector, available in grommet mount or optional flange mount
- (10) SMD LEDs, super bright and long life span up to 100,000 hours
- Stop, Tail, Turn functions combined.
- PC lens and housing welded together to ensure a permanent and water proof seal.
- Standard right angle 3-prong plug assembly
- ECE compliant, E-mark certified on all (3) color lamps
- Meets DOT FMVSS 108/SAE requirements, lens lettering: STIA
- Rated for 12V, tested to 13.8V
- Also available in multi-voltage 10~30V operating range or 24V by special order

Part No.	Description	Input Voltage	Lighting Color	LED Count	Current Draw (A) at 13.8V
104510R	Red Grommet Mount Kit	12 V	Red	10	0.018/0.15 A
104510RL	Red Lamp Only	12 V	Red	10	0.018/0.15 A
104510A	Amber Grommet Mount Kit	12 V	Amber	10	0.018/0.15 A
104510AL	Amber Lamp Only	12 V	Amber	10	0.018/0.15 A
104510C	White Grommet Mount Kit	12 V	White	10	0.018/0.15 A
104510CL	White Lamp Only	12 V	White	10	0.018/0.15 A
104510RM	Red Grommet Mount Kit, Multi-volt	12~24 V	Red	10	0.018/0.15 A
104510AM	Amber Grommet Mount Kit, Multi-volt	12~24 V	Amber	10	0.018/0.15 A
104510CM	White Grommet Mount Kit, Multi-volt	12~24 V	White	10	0.018/0.15 A
104200G	Standard Grommet only for 4" Round Light				
906403P	Standard Right Angle 3 Prong Plug for 4" Round Light				



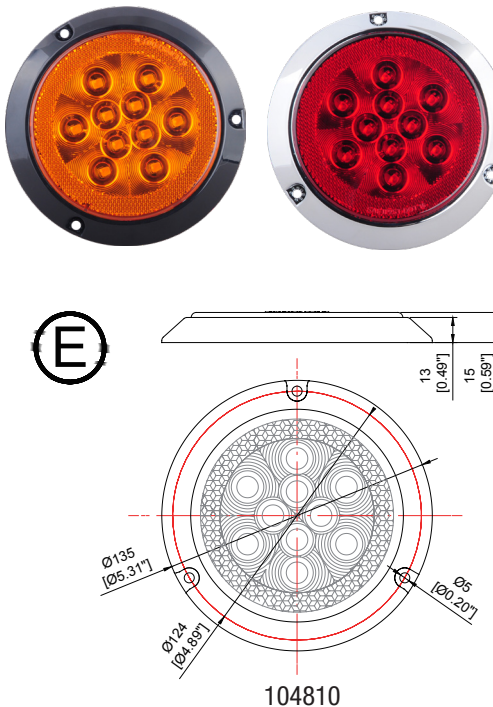
104510

New!

4" Round LED Light Surface Mount, STOP/TAIL/TURN 4" 圆形 LED 尾灯表面安装，刹车 / 转向 / 指示

- Surface mount, available in Black Plastic or Chrome Plated Bezel
- Direct lead wires
- Functions of Stop, Tail and Turn combined
- (10) SMD LEDs of up-to-date technology, super bright
- PC lens and housing welded together to ensure a permanent and water proof seal
- Meets DOT FMVSS 108/SAE requirements
- Meets ECE requirements, E-mark certified
- Rated for 12V, tested to 13.8V
- Also available in multi-voltage 10~30V operating range, or 24V by special order

Part No.	Description	Input Voltage	Lighting Color	LED Count	LED Type	Current Draw (A) at 13.8V
104810R	Black Bezel Red	12 V	Red	10	SMD	0.02/0.18 A
104810A	Black Bezel Amber	12 V	Amber	10	SMD	0.18 A
104810C	Black Bezel Clear White	12 V	White	10	SMD	0.18 A
104810RP	Chromed Bezel Red	12 V	Red	10	SMD	0.02/0.18 A
104810AP	Chromed Bezel Amber	12 V	Amber	10	SMD	0.18 A
104810CP	Chromed Bezel Clear White	12 V	Clear	10	SMD	0.18 A



104810

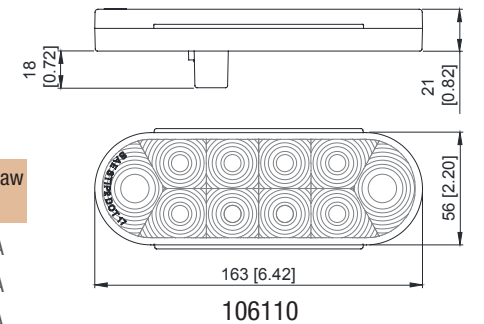
LED STOP TAIL TURN LIGHTS

6" Oval LED Tail Lights Grommet Mount, STOP/TAIL/TURN 6" 椭圆形 LED 尾灯胶圈安装，刹车 / 转向 / 指示

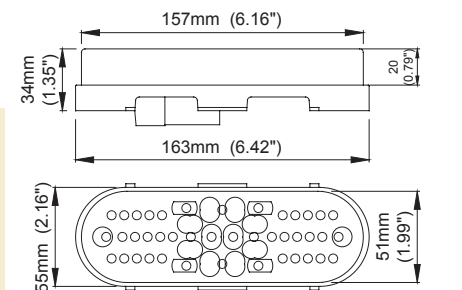
New!

- Standard 6" Oval STT Light series, PVC grommet mount, interchangeable with most brands
- New style of (10) SMD LEDs with engineered lens optics, superior grade LEDs and more economical version; also available in conventional version of (42) SMD LEDs; long life span up to 50,000 hours
- Stop, Tail and Turn functions combined
- PC lens and housing welded together to ensure a permanent and water proof seal.
- Available in standard right angle 3-prong connector as well as 3-pin AMP connector.
- Meets DOT FMVSS 108/SAE requirements; Lens marking: STIP2
- Rated for 12V, tested to 13.8V
- Also available in multi-voltage 10~30V operating range, or 24V by special order only

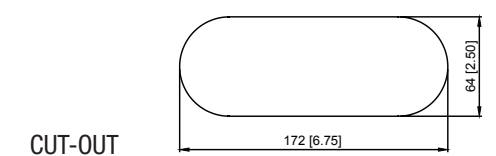
Part No.	Description	Connector	Input Voltage	Lens Color	Light Color	LED Count	Current Draw at 13.8V
106110A	Grommet Kit Amber	3-Prong	12 V	Amber	Amber	10	0.06/0.23 A
106110AL	Lamp Only Amber	3-Prong	12 V	Amber	Amber	10	0.06/0.23 A
106110A-AMP	Grommet Kit Amber, AMP Connector	3-Pin AMP	12 V	Amber	Amber	10	0.06/0.23 A
106110AM	Grommet Kit Amber, Multi-voltage	3-Prong	12~24 V	Amber	Amber	10	0.06/0.12 A
106110R	Grommet Kit Red	3-Prong	12 V	Red	Red	10	0.06/0.23 A
106110RL	Lamp Only Red	3-Prong	12 V	Red	Red	10	0.06/0.23 A
106110R-AMP	Grommet Kit Red, AMP Connector	3-Pin AMP	12 V	Red	Red	10	0.06/0.23 A
106110RM	Grommet Kit Red, Multi-voltage	3-Prong	12~24 V	Red	Red	10	0.06/0.12 A
106110CR	Grommet Kit Clear/Red	3-Prong	12 V	Clear	Red	10	0.06/0.23 A
106110CRL	Lamp Only Clear/Red	3-Prong	12 V	Clear	Red	10	0.06/0.23 A
106110CR-AMP	Grommet Kit Clear/Red, AMP Connector	3-Pin AMP	12 V	Clear	Red	10	0.06/0.23 A
106110CRM	Grommet Kit Clear/Red, Multi-voltage	3-Prong	12~24 V	Clear	Red	10	0.06/0.12 A
106110C	Grommet Kit Clear White	3-Prong	12 V	Clear	White	10	0.03/0.29 A
106110CL	Lamp Only Clear White	3-Prong	12 V	Clear	White	10	0.03/0.29 A
106110C-AMP	Grommet Kit Clear White, AMP Connector	3-Pin AMP	12 V	Clear	White	10	0.03/0.29 A
106110CM	Grommet Kit Clear White, Multi-voltage	3-Prong	12~24 V	Clear	White	10	0.13 A
106242A	Grommet Kit Red	3-Prong	12 V	Amber	Amber	42	0.07/0.4 A
106242R	Grommet Kit Amber	3-Prong	12 V	Red	Red	42	0.05/0.27 A
106242C	Grommet Kit Clear White	3-Prong	12 V	Clear	White	42	0.4 A
106242AM	Grommet Kit Red, Multi-voltage	3-Prong	12~24 V	Amber	Amber	42	0.07/0.4 A
106242RM	Grommet Kit Amber, Multi-voltage	3-Prong	12~24 V	Red	Red	42	0.05/0.27 A
106242CM	Grommet Kit Clear White, Multi-voltage	3-Prong	12~24 V	Clear	White	42	0.4 A
106200G	Standard Grommet for 6" Oval Light						
906403P	Standard Right Angle 3 Prong Plug for 6" Oval Light						
TE 282105-1	3-Pin AMP Female Plug to fit 3-Pin AMP Connector						



106110



106242



CUT-OUT

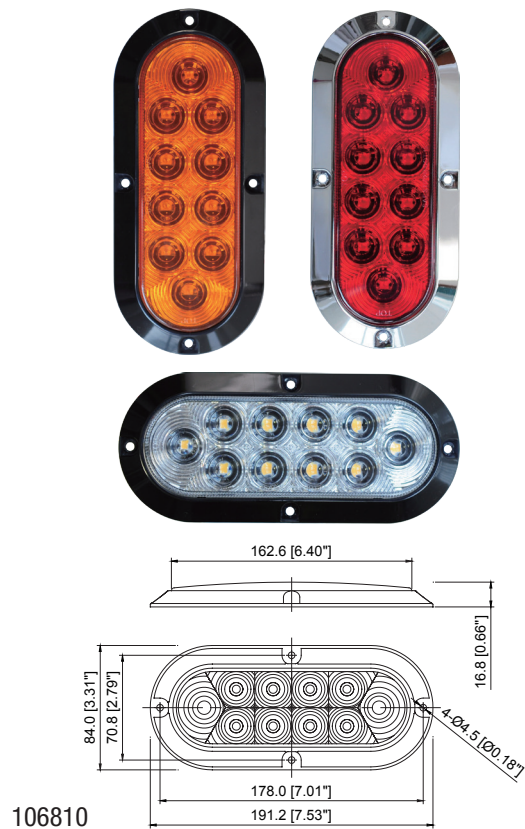
LED STOP TAIL TURN LIGHTS

New!

6" Oval LED Light Surface Mount, STOP/TAIL/TURN 6" 椭圆形 LED 尾灯表面安装, 刹车 / 转向 / 指示

- Surface mount, available in Black Plastic or Chrome Plated Bezel
- Direct lead wires
- Functions of Stop, Tail and Turn combined
- (10) SMD LEDs of up-to-date technology, super bright
- Engineered lens optics
- PC lens and housing welded together to ensure a permanent and water proof seal
- Meets DOT FMVSS 108/SAE requirements
- Rated for 12V, tested to 13.8V
- Also available in multi-voltage 10~30V operating range, or 24V by special order

Part No.	Description	Input Voltage	Lighting Color	LED Count	LED Type	Current Draw (mA) at 13.8V
106810R	Black Bezel Red	12 V	Red	10	SMD	0.02/0.18 A
106810A	Black Bezel Amber	12 V	Amber	10	SMD	0.18 A
106810C	Black Bezel Clear White	12 V	White	10	SMD	0.18 A
106810RP	Chromed Bezel Red	12 V	Red	10	SMD	0.02/0.18 A
106810AP	Chromed Bezel Amber	12 V	Amber	10	SMD	0.18 A
106810CP	Chromed Bezel Clear White	12 V	Clear	10	SMD	0.18 A



106810

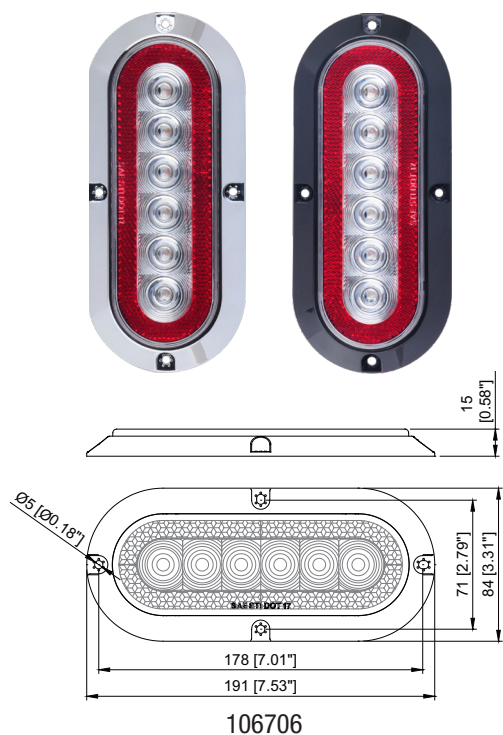
New!

PATENT PENDING!

6" Oval LED Light Surface Mount with Reflex Reflector, STOP/TAIL/TURN 6" 椭圆形 LED 尾灯表面安装带反射, 刹车 / 转向 / 指示

- Surface mount, available in Black Plastic or Chrome Plated Bezel
- New style of (6) SMD LEDs with engineered lens optics, more economical version
- Super bright SMD diodes of long life span up to 100,000 hours
- Stop, Tail, Turn functions combined
- PC lens and housing welded together to ensure a permanent and weather proof seal
- Stripped 3 lead wires directly coming out underneath the bracket
- Meets DOT FMVSS 108/SAE requirements; Lens marking: STIA
- Rated for 12V, tested to 13.8V
- Also available in multi-voltage 10~30V operating range, or 24V by special order only

Part No.	Description	Input Voltage	Lighting Color	LED Count	LED Type	Current Draw (A) at 13.8V
106706R	Black Bezel Red Lens	12 V	Red	6	SMD	0.09/0.01 A
106706CR	Black Bezel Clear Lens	12 V	Red	6	SMD	0.09/0.01 A
106706RP	Chromed Bezel Red Lens	12 V	Red	6	SMD	0.09/0.01 A
106706CRP	Chromed Bezel Clear Lens	12 V	Red	6	SMD	0.09/0.01 A



106706

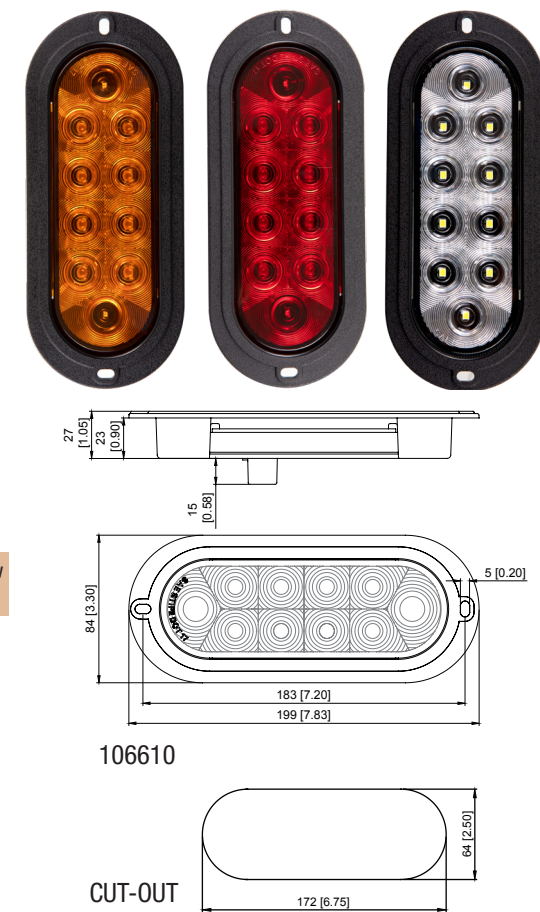
LED STOP TAIL TURN LIGHTS

New!

6" Oval LED Tail Lights Flange Mount, STOP/TAIL/TURN 6" 椭圆形 LED 尾灯法兰圈安装, 刹车 / 指示 / 转向

- Standard 6" Oval STT Light series, Flange Mount
- New style of (10) SMD LEDs with engineered lens optics, superior grade LEDs and more economical version; also available in conventional version of (42) SMD LEDs; long life span up to 50,000 hours
- Stop, Tail and Turn functions combined
- PC lens and housing welded together to ensure a permanent and water proof seal
- Plastic flange made of durable PC in black color
- Standard right angle 3-prong connector
- Meets DOT FMVSS 108/SAE requirements; Lens marking: STIP2
- Rated for 12V, tested to 13.8V
- Also available in multi-voltage 12~24V operating range, or 24V by special order only

Part No.	Description	Input Voltage	Lighting Color	LED Count	LED Type	Current Draw (A) at 13.8V
106610R	Flange Mount Kit Red	12 V	Red	10	SMD	0.02/0.18 A
106610A	Flange Mount Kit Amber	12 V	Amber	10	SMD	0.18 A
106610C	Flange Mount Kit Clear White	12 V	Clear	10	SMD	0.18 A
106610RM	Flange Mount Kit Red, Multi-voltage	12~24 V	Red	10	SMD	0.02/0.18 A
106610AM	Flange Mount Kit Amber, Multi-voltage	12~24 V	Amber	10	SMD	0.18 A
106610CM	Flange Mount Kit C. White, Multi-voltage	12~24 V	C. White	10	SMD	0.18 A
906403P	Right Angle 3 Prong Plug for 6" Oval Light					



106610

CUT-OUT

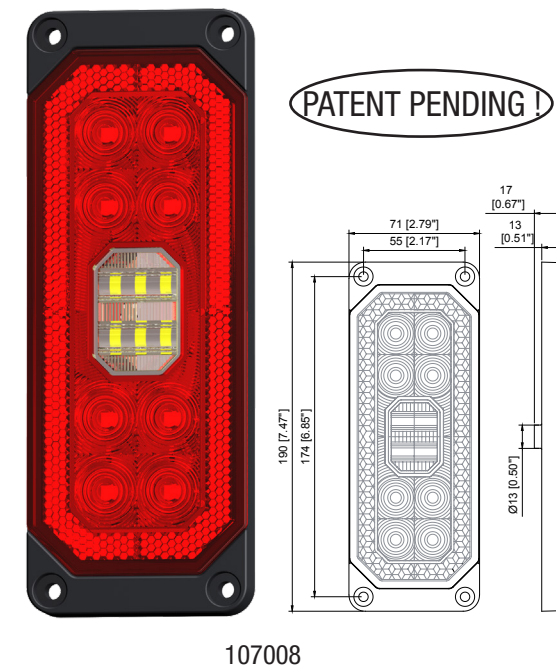
New!

PATENT PENDING!

2.75" x 7.45" Rectangular LED Combo Tail Light, Surface Mount 2.75" x 7.45" 表面安装长方形组合尾灯

- Surface mount rectangular shape, similar size to standard 6" Oval tail light
- Innovative Combo tail light with Stop, Tail, Turn and Reverse functions combined, plus reflex reflector built-in, PATENT PENDING
- (8) Red+(6) White SMD LEDs, super-bright and long life span up to 50,000 hours
- PC lens and bracket (in black), ultrasonically welded together to ensure a permanent and water proof seal, IP65 rated
- Direct lead wires with pre-stripped ends
- Meets DOT FMVSS 108/SAE requirements when vertically mounted
- Rated for 12V, tested to 13.8V
- Also available in multi-voltage 10~30V operating range or 24V by special order

Part No.	Description	Input Voltage	LED Count	Lighting Color	Current Draw at 13.8V
107008R	Combo Tail Light 12V	12 V	8 Red/6 White	Red/White	Red 0.07A/0.01A, White 0.12A
107008RM	Combo Tail Light multi-voltage	10~30V	8 Red/6 White	Red/White	Red 0.07A/0.01A, White 0.12A

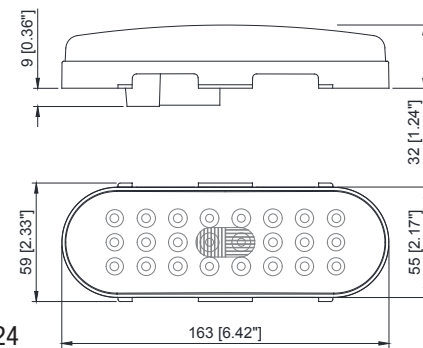


107008

LED STOP TAIL TURN LIGHTS

6" Oval LED High Mount Stop Light, STOP/TURN/(Tail) 6" 椭圆形 LED 尾灯刹车 / 转向 / (行车指示)

- (24) SMD LEDs, super bright and long life span up to 100,000 hours
- Stop, Turn and Tail functions combined, applicable for LLV High Mounted Stop Light and Front Park/Turn Signal Light as well as general STT light
- Engineered lens optics plus a reflector over PCB making the lamp bright and shiny for compliance
- PC lens and housing welded together to ensure a permanent and weather proof seal
- Black PVC grommet mounting; also available in flange mount version by special order
- Standard right angle 3-prong plug assembly
- Meets DOT FMVSS 108/SAE requirements, lens marking: I6P2S2T
- Rated for 12V, tested to 13.8V
- Also available in multi-voltage 10~30V operating range, or 24V by special order only

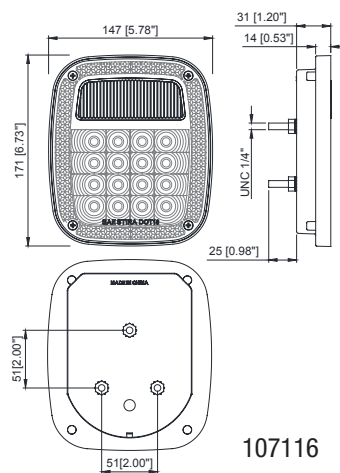


Part No.	Description	Input Voltage	Lighting Color	LED Count	LED Type	Current Draw at 13.8V
106224A	Grommet Kit Amber	12 V	Amber	24	SMD	0.02/0.30A
106224R	Grommet Kit Red	12 V	Red	24	SMD	0.03/0.40 A
106224AM	Grommet Kit Amber, Multi-volt	10~30 V	Amber	24	SMD	0.18 A
106224RM	Grommet Kit Red, Multi-volt	10~30 V	Red	24	SMD	0.03/0.40 A
106200G	Standard Grommet for 6" Oval Lights					
906403P	Standard Right Angle 3-Prong Plug for 6" Oval Lights					

106224

JEEP-Style LED Combo Tail Light STT & Back Up, Low Depth JEEP 款组合 LED 尾灯

- Combination functions of Stop/Tail/Turn and Back Up Light with reflex built in
- 16 LEDs for red color and 12 white LEDs for back up
- PC lens and ABS housing, low depth
- Completely sealed, weather tight
- Stud mount with hardware included
- Hard-wired, 4 wires with protective sleeve, wiring instruction on the back of the light
- Meets SAE/FMVSS requirements, lens marking I6(2)RS2T
- Rated for 12V, tested to 13.8V
- Also available in multi-voltage 10~30V operating range, or 24V by special order only



107116

Part No.	Description	Input Voltage	LED Count & Lighting Color	LED Type	Current Draw (mA) at 13.8V
107116R	Combo Tail Light STT & Back Up	12 V	16 Red+12 White	SMD	Stop/Turn: 0.15 A Tail: 0.02 A Back Up: 0.24A
107116RM	Combo Tail Light STT & Back Up, Multi-volt	12~24 V	16 Red+12 White	SMD	Stop/Turn: 0.13 A Tail: 0.02 A Back Up: 0.13A

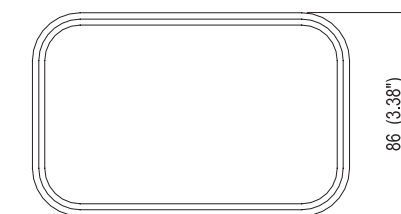
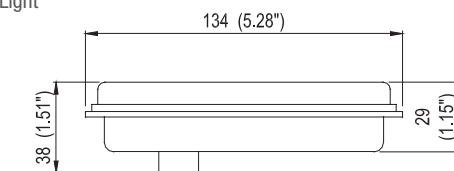
LED STOP TAIL TURN LIGHTS

5.3"x3.4" Rectangular LED Tail Light, STOP/TAIL/TURN 5.3"x3.4" LED 长方形尾灯, 刹车 / 指示 / 转向

- Available in versions of (12) SMD LEDs and (15) SMD LEDs, super bright and long life span up to 100,000 hours
- Features combined functions of Stop/Tail/Turn
- Both versions comply with requirements for Front Park Lamp (P), and (15) LED version can be identified as lamps for LLV (long life vehicle)
- Engineered lens optics, durable PC lens and housing welded in a single unit to ensure a permanent and water proof seal.
- Standard right angle 3-prong connector fitting 3-prong pigtail plug, black PVC grommet mounting
- Both (12) and (15) diode versions meet DOT FMVSS 108/SAE requirements with lens marking "STIPP2", and (12) diode version meets ECE (E-Mark) requirements
- Rated for 12V, tested to 13.8V
- Also available in multi-voltage 10~30V operating range, or 24V by special order only



Part No.	Description	Input Voltage	Lighting Color	LED Count	Current Draw at 13.8V
107412A	Grommet Kit	12 V	Amber	12	0.16 A
107412R	Grommet Kit	12 V	Red	12	0.02/0.18 A
107412C	Grommet Kit	12 V	White	12	0.16 A
107412AM	Grommet Kit, Multi-volt	10~30 V	Amber	12	0.16 A
107412RM	Grommet Kit, Multi-volt	10~30 V	Red	12	0.02/0.18 A
107412CM	Grommet Kit, Multi-volt	10~30 V	White	12	0.16 A
107415A	LLV Lamp Grommet Kit	12 V	Amber	15	0.20 A
107415A-F	Front Park Built-in Flash LLV Lamp Kit	12 V	Amber	15	
107415R	LLV Lamp Grommet Kit	12 V	Red	15	0.02/0.25 A
107415C	LLV Lamp Grommet Kit	12 V	White	15	0.20 A
107415AM	LLV Lamp Grommet Kit Multi-volt	10~30 V	Amber	15	0.20A
107415AM-F	Front Park Built-in Flash Lamp Kit Multi-volt	10~30 V	Amber	15	
107415RM	LLV Lamp Grommet Kit Multi-volt	10~30 V	Red	15	0.02/0.25 A
107415CM	LLV Lamp Grommet Kit Multi-volt	10~30 V	White	15	0.20A
107400G	Standard Grommet for Rectangular Tail Light				
906403P	Standard Right Angle 3 Prong Plug for 6" Oval Light				



107412,107415

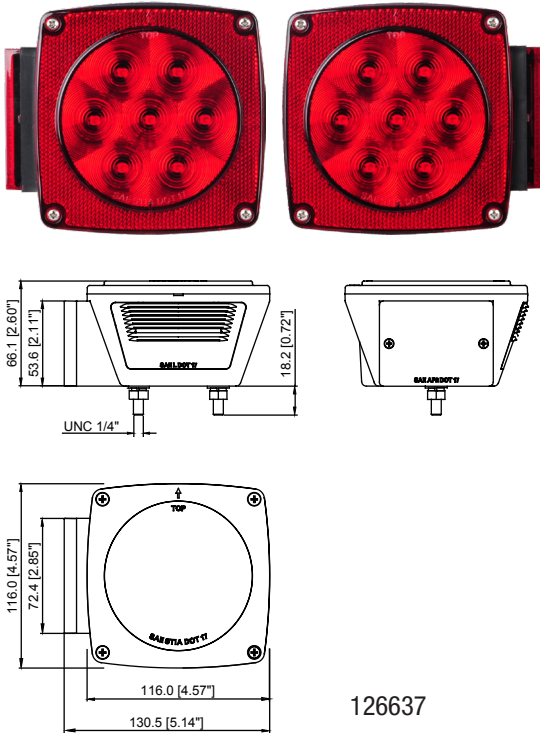
LED STOP TAIL TURN LIGHTS

New!

Square LED Combination Tail Light, Under 80" 方形 LED 拖车组合尾灯 (适用于车宽小于 80")

- For under 80" trailers
- Traditional square style fits most applications as well as retro-fits to replace incandescent versions
- SMD LED technology for super bright and waterproof performance
- Acrylic lens and durable plastic housing
- Stud mount on 2" centers
- Hard wired
- Meets SAE/FMVSS requirements, lens marking "STI", "AP2" on the side marker, and "L" on the license plate light
- Rated for 12V, tested to 13.8V

Part No.	Description	Input Voltage	Lighting Color	LED Type	Current Draw at 13.8V
126637-L	Square LED Combination Tail Lights w/ License Plate Light, Driver (Left) Side	12 V	7 Red+3 Red+3 White	SMD	Stop/Turn: 0.1 A Tail/Mark/License: 0.1 A
126637-R	Square LED Combination Tail Lights w/o License Plate Light, Passenger (Right) Side	12 V	7 Red+3 Red	SMD	Stop/Turn: 0.1 A Tail/Mark: 0.06 A



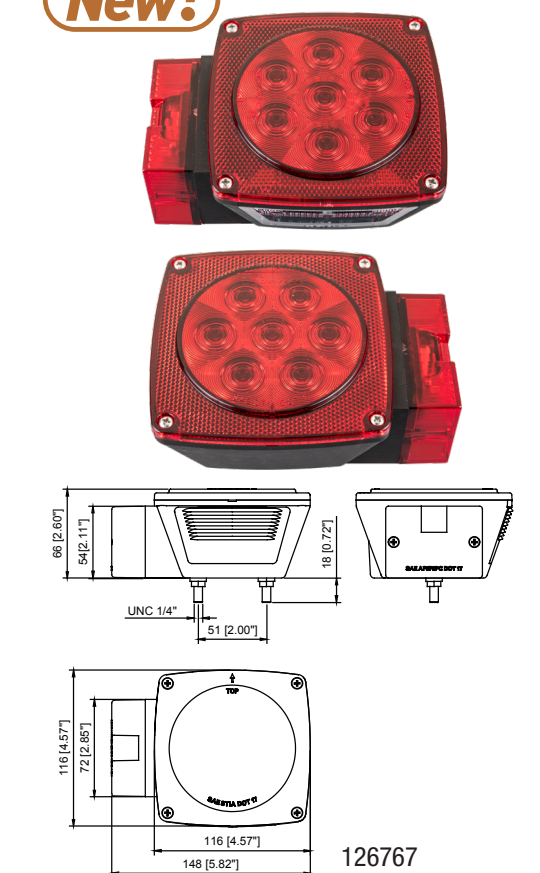
126637

New!

Square LED Combination Tail Light, Over 80" 方形 LED 拖车组合尾灯 (适用于车宽大于 80")

- For over 80" trailers
- Traditional square style fits most applications as well as retro-fits to replace incandescent versions
- SMD LED technology for super bright and waterproof performance
- Acrylic lens and durable plastic housing
- Stud mount on 2" centers
- Hard wired
- Meets SAE/FMVSS requirements, lens marking "STI", "AP2P3PC" on the side marker, and "L" on the license plate light
- Rated for 12V, tested to 13.8V

Part No.	Description	Input Voltage	Lighting Color	LED Type	Current Draw at 13.8V
126767-L	Square LED Combination Tail Lights w/ License Plate Light, Driver (Left) Side, Over 80"	12 V	7 Red+6 Red+3 White	SMD	Stop/Turn: 0.1 A Tail/Mark/License: 0.1 A
126767-R	Square LED Combination Tail Lights w/o License Plate Light, Passenger (Right) Side, Over 80"	12 V	7 Red+6 Red	SMD	Stop/Turn: 0.1 A Tail/Mark: 0.06 A



126767

LED STOP TAIL TURN LIGHTS

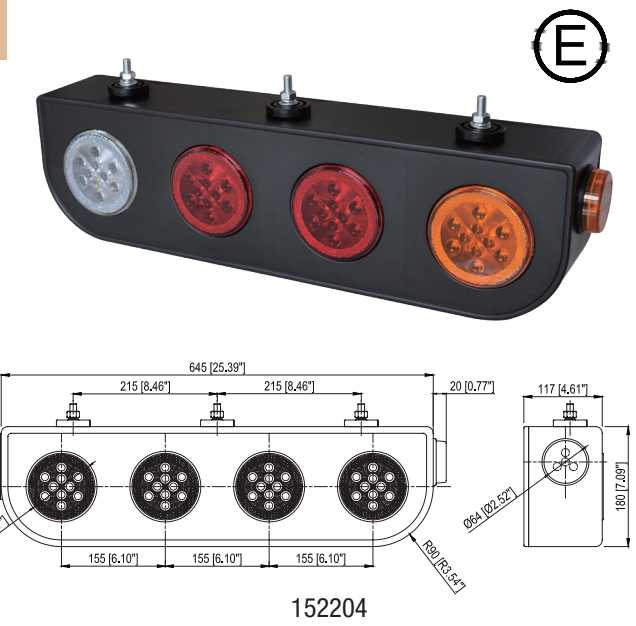
LED Tail Light Box LED 组合尾灯大灯盒

- LED Tail Light Box, assembly of 4" round Red/Amber/White lights on the rear and 2-1/2" round marker light on side, specially designed as combo lights for trucks and trailers. The version (152204B) of stud mounted lights features anti-theft for protection of the lights from being stolen
- Stop (brake), Tail (indicator), Turn Signal and Reverse (Back-up) functions combined, plus an auxiliary amber marker light at the side of box, all built-in one stiff plastic box; left hand and right hand installed as a set for a vehicle
- All the 4" tail lights have reflex reflector incorporated in the lens on the anti-theft version.
- Uses super bright LEDs of super flux (P4) type on grommet mount lights and SMD LEDs on stud mount lights
- 5 core cable of colored wires in 1 meter (40") length for easy connection with electrical controller or power system
- Each light meets DOT FMVSS 108/SAE requirements, all the lights on anti-theft version comply with ECE requirements
- Available in multi-voltage 10~30V operating range, or 24V by special order

Part No.	Description	Input Voltage	Lighting Color	LED Count	Current Draw (mA) at 13.8V
150104B	LED Tail Light Box, Stop/Tail/Turn/Reverse Combined Functions, 12V	12V			
150104B2	LED Tail Light Box, Stop/Tail/Turn/Reverse Combined Functions, 24V	24V			
150104BM	LED Tail Light Box, Stop/Tail/Turn/Reverse Combined Functions, Multi-voltage 12~24V	12V~24V			
152204B	LED Tail Light Box, Stop/Tail/Turn/Reverse Combined Functions, 12V	12V			
152204B2	LED Tail Light Box, Stop/Tail/Turn/Reverse Combined Functions, 24V	24V			
152204BM	LED Tail Light Box, Stop/Tail/Turn/Reverse Combined Functions, Multi-voltage 12~24V	12V~24V			
	Stop (Brake) Function, Hi-Mode Rear Red Lamp		Red	12	390 mA
	Tail (Indicator) Function, Low-Mode Red Rear Lamp +Amber Side Marker		Red	12 (Rear) + 3 (Side)	150 mA
	Turn Signal Function, Rear Amber Lamp		Amber	12	220 mA
	Reverse Function, Rear White Lamp		White	12	150 mA



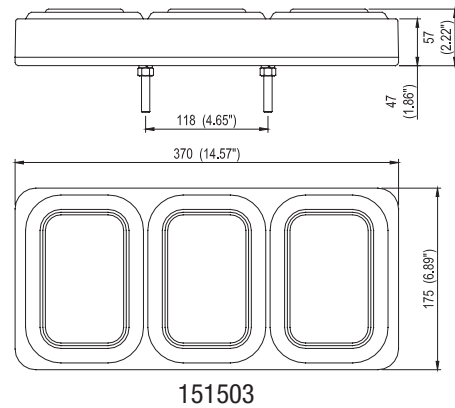
150104



152204



LED Tail Light Box, 3 Rectangular Light Assembly LED 长方形组合尾灯



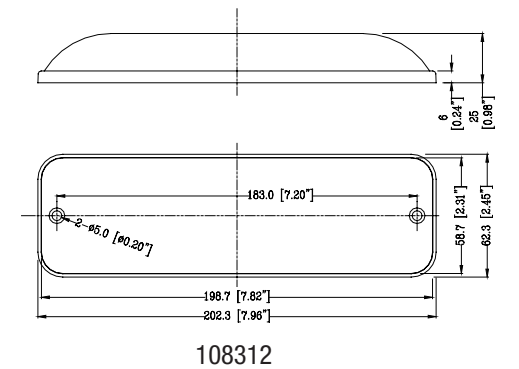
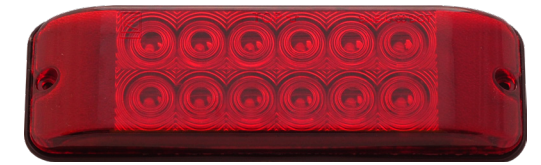
- LED Tail Light Box assembly consists of three rectangular Red/Amber/White lights plus one round amber marker light; ideal for trailers and trucks
- Combination of functions: Red light for Stop (brake) and Tail (indicator), Amber light for Turn Signal and White light for Reverse (Back-up); all built-in one plastic box; left hand and right hand as a set
- Each light uses super bright SMD LEDs
- Each light is sealed by welding to ensure a permanent and water proof seal
- 5 core cable of colored wires in 1 meter (40") length for easy connection with electrical controller or power system
- Individual light meets ECE requirements (E-MARK certified)
- Rated for 12V, tested to 13.8V
- Also available in multi-voltage 10~30V operating range, or 24V by special order

Part No.	Description	Input Voltage	LED Count	Lighting Color	Current Draw (mA) at 13.8V
151503B	LED Tail Light Box, 3 Rectangular Light Assembly, Stop/Tail/Turn/Reverse Functions, 12V	12V			
151503B2	LED Tail Light Box, 3 Rectangular Light Assembly, Stop/Tail/Turn/Reverse Functions, 24V	24V			
151503BM	LED Tail Light Box, 3 Rectangular Light Assembly, Stop/Tail/Turn/Reverse Functions, Multi-voltage 12~24V	12V~24V			
	Stop (Brake) Function, Rear Red Light		12	Red	390 mA
	Tail (Indicator) Function, Rear Red Light + Amber Side Marker		(1) Red Tail + (1) Marker	Red + Amber	150 mA
	Turn Signal Function, Rear Amber Light		12	Amber	220 mA
	Reverse Function, Rear White Light		12	White	150 mA

8" x 2.5" Surface Mount Third Brake (Tail) Light 8"x 2.5" LED 高位刹车灯

- Features Stop (Brake) and Indicator (Tail) functions, ideal to use as retro-fit, a high mount third brake light or an auxiliary tail light
- 12 LEDs of super flux (P4) type, super bright and super long life span up to 100,000 hours
- PC lens and housing, heat welded together to ensure a permanent and water proof seal.
- LEDs and circuit board coated with conformal coating for excellent moisture and environmental protection
- Red color meets DOT FMVSS 108/SAE requirements for high mount third brake light
- Rated for 12V, tested to 13.8V
- Also available in multi-voltage 10~30V operating range or 24V by special order

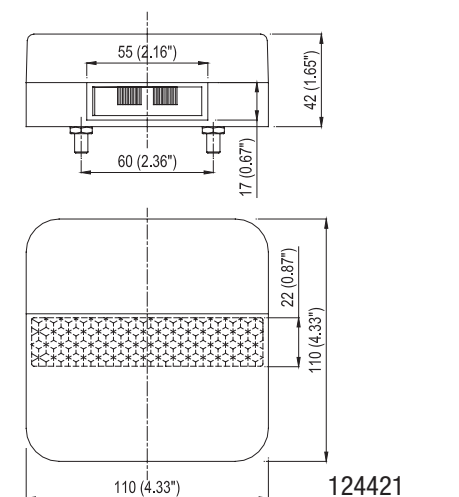
Part No.	Description	Input Voltage	LED Count	Lighting Color	Current Draw (mA) at 13.8V
108312R	Red Lens/Red LED	12 V	12	Red	15/250 mA
108312C	Clear Lens/White LED	12 V	12	White	15/100 mA
108312RM	Red Lens/Red LED, Multi-voltage	12~24 V	12	Red	15/250 mA
108312CM	Clear Lens/White LED, Multi-voltage	12~24 V	12	White	15/100 mA



Square LED Trailer Light 110x110 LED 方形拖车尾灯

- Innovative square (110mm x 110mm) shape trailer light with engineered lens optics; combined functions of Stop, Tail (Indicator) and Turn Signal, as well as an optional License Plate Light. Amber LEDs on top, reflex stripe in middle, and red LEDs below. Product is ideal for boat trailers and other vehicles
- PC lens and base, the lens is snapped on the base
- LEDs and circuitry are completely sealed by epoxy to ensure permanent water proof, Submersible
- Super bright Red & Amber LEDs of 5mm round type - long life span up to 100,000 hours
- 2 steel zinc plated bolts (M5 size) and 20cm (8") cable included for installation
- Rated for 12V, tested to 13.8V
- Also available in multi-voltage 10~30V operating range or 24V by special order
- Meets ECE requirements for all functions (E-MARK certified)

Part No.	Description	Input Voltage	Lighting Color	LED Count	Current Draw (mA) at 13.8V
124421CL	Combination Light Kit, W/O License Plate Light	12V	Red/Amber	21+21	140/140 mA
124426CL	Combination Light Kit, W/ License Plate Light	12V	Red/Amber/White	21+21+5	140/140/40 mA
124421CLM	Combination Light Kit, W/O License Plate Light, Multi-voltage	12~24V	Red/Amber	21+21	140/140 mA
124426CLM	Combination Light Kit, W/ License Plate Light, Multi-voltage	12~24V	Red/Amber/White	21+21+5	140/140/40 mA

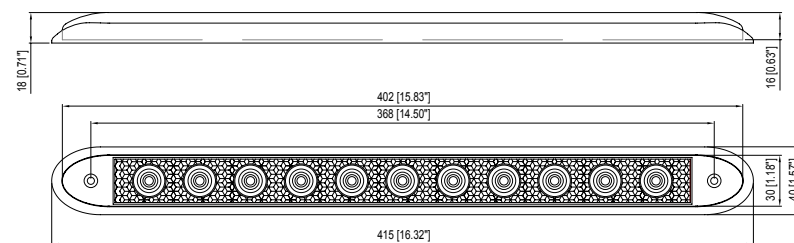
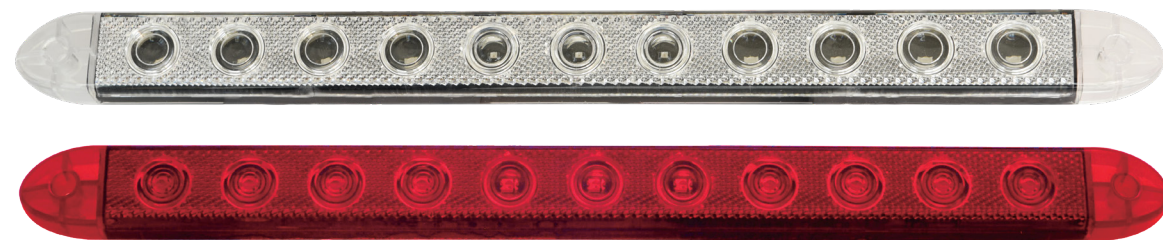


16" Slim-Line LED Identification Light Bar w/ Reflex Lens and Chromed Bezel

16" LED 指示灯条带反射及镀铬底座

- Innovative indicator light bar with reflex lens and fancy chromed trim bezel.
- Stop (brake), Indicator (Tail) and Turn functions combined, ideal to use as an identification light bar as well as a high mount third brake light for trailers
- 11 SMD LEDs, super-bright and long life span up to 50,000 hours
- PC lens and housing, ultrasonically welded together to ensure a permanent and water proof seal.
- LEDs sealed by epoxy and circuit board coated with conformal coating for excellent moisture and environmental protection
- Red color meets DOT FMVSS 108/SAE requirements for Stop, Tail and Indicator functions.
- Rated for 12V, tested to 13.8V
- Also available in multi-voltage 10~30V operating range or 24V by special order

Part No.	Description	Input Voltage	Lighting Color	LED Count	Current Draw (mA) at 13.8V
116211R	Light Kit w/ Bezel, Red	12 V	Red	11	15/250 mA
116211RL	Light Only w/o Bezel, Red	12 V	Red	11	15/250 mA
116211CR	Light Kit w/ Bezel, Clear/Red	12 V	Red	11	15/250 mA
116211CRL	Light Only Clear Lens/Red	12 V	Red	11	15/250 mA
116211RM	Light Kit w/ Bezel RED, Multi-voltage	12~24 V	Red	11	15/250 mA
116211C	Light Only w/o Bezel, White	12 V	White	11	15/100 mA
116211CL	Light Only w/o Bezel, White	12 V	White	11	15/100 mA
116211CM	Light Kit w/ Bezel White, Multi-voltage	12~24 V	White	11	15/100 mA



116211

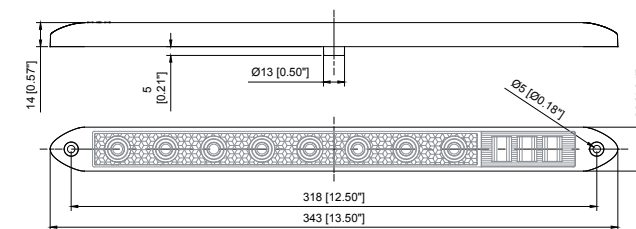
13.5" LED Light Bar Reflex Lens, STT & Back Up Light Combined

13.5" LED 指示灯条, 刹车 / 行车 / 转向带倒车灯及反射

New!

- Innovative identification light bar with auxiliary reflex reflector on the lens
- Stop, Tail (Indicator) and Turn functions combined along with Back Up light built in, ideal to use as an identification light on trailers, RVs and speciality vehicles
- SMD LEDs, 8 Red and 6 White, super-bright and long life span up to 50,000 hours
- PC lens and housing, sonic welded and epoxy potted on the back to ensure a permanent and weather proof seal, IP 65 rated
- Meets DOT FMVSS 108/SAE requirements for STT & Back Up functions when vertically mounted; lens marking: STI(2)RA
- Rated for 12V, tested to 13.8V

Part No.	Description	Input Voltage	Lighting Color	LED Count	Current Draw at 13.8V
116008RL	Red Lens Red light	12 V	Red/White	8 Red / 6 White	Red 0.1A/0.01A, White 0.15A
116008CRL	Clear Lens Red light	12 V	Red/White	8 Red / 6 White	Red 0.1A/0.01A, White 0.15A



116008

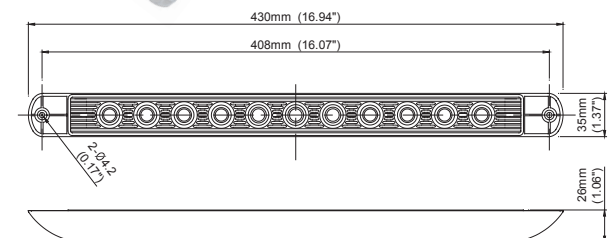


17" LED Identification Light Bar STT

17" LED 指示灯条

- Stop (brake), Indicator (Tail) and Turn functions combined, ideal to use as an identification light bar as well as a high mount third brake light for trailers
- 11 SMD LEDs, super bright and super long life span up to 50,000 hours
- PC lens and housing, ultrasonically welded together to ensure a permanent and water proof seal
- LEDs sealed by epoxy and circuit board coated with conformal coating for excellent moisture and environmental protection
- Red color meets DOT FMVSS 108/SAE requirements for high mount third brake light and identification light
- Rated for 12V, tested to 13.8V
- Also available in multi-voltage 10~30V operating range or 24V by special order

Part No.	Description	Input Voltage	LED Count	Lighting Color	Current Draw (mA) at 13.8V
117211R	Red Lens/Red LED	12 V	11	Red	15/250 mA
117211C	Clear Lens/White LED	12 V	11	White	15/100 mA
117211CR	Clear Lens/Red LED	12 V	11	Red	15/250 mA
117211RM	Red Lens/Red LED, Multi-voltage	12~24 V	11	Red	15/250 mA
117211CM	Clear Lens/White LED, Multi-voltage	12~24 V	11	White	15/100 mA



117211

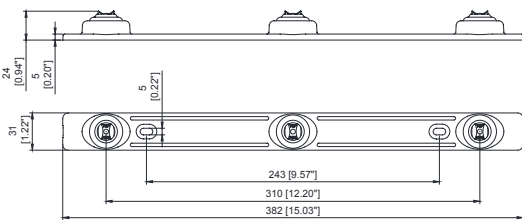
LED IDENTIFICATION LIGHT BAR

New!

LED Identification Light Bar, Stainless Steel Base LED 指示灯条, 304 不锈钢安装底座

- Innovatively designed ID Bar, consisting of 3 x 3/4" marker lamps #113001R and shiny stainless steel base. Lamps are snapped in and locked in place on the bracket
- Stamped 304 Stainless Steel Base available in highly polished finish and dull finish
- Surface mount on holes of 9.6" (243mm) centers
- Stripped lead wires directly coming out underneath the base
- Meets DOT FMVSS 108/SAE requirements
- Rated for 12V, tested to 13.8V
- Also available in multi-voltage 10~30V operating range, or 24V version by special order

Part No.	Description	Finish	Input Voltage	Lighting Color	Lamp Count	Current Draw at 13.8V
130203R	ID Bar, Polished 304SS	Polished	12 V	Red	3x113001R	0.09A
130223R	ID Bar, Dull Finish 304SS	Dull	12 V	Red	3x113001R	0.09A



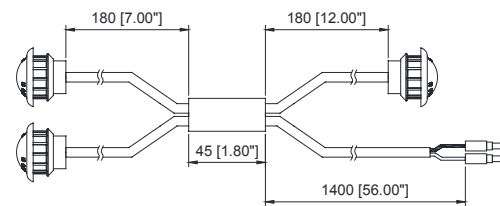
130203

PATENT PENDING!



ID Light Harness of 3x3/4" LED M/C Lamps LED 位置灯线束 (含 3x3/4" 指示灯)

- Consists of 3 piece 3/4" marker and clearance lamps (3x112903R)
- Maximum lamp spacing: 12"; jacketed wire length: 56" or variable by special order
- Harness with 0.180 male bullet ends for connection
- Whole light kit completely water proof (IP65)
- Meets DOT FMVSS 108/SAE requirements, P2 rated
- Rated for 12V, tested to 13.8V
- Also available in multi-voltage 10~30V operating range, or 24V by special order



112933



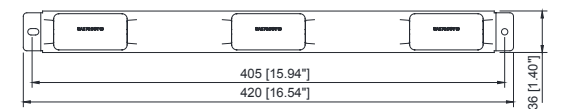
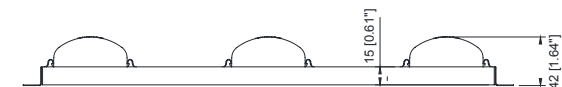
Part No.	Description	Input Voltage	Lighting Color	Lamp Count	Current Draw at 13.8V
112933R-KT	ID Light Harness	12 V	Red	3x112903R	0.05 A

LED IDENTIFICATION LIGHT BAR

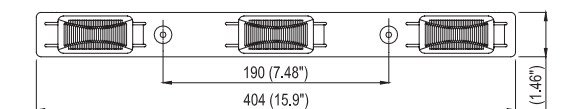
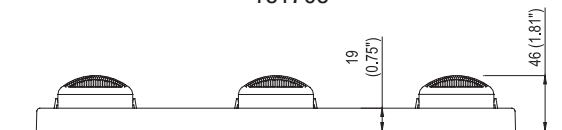
LED Identification Light Bar, Plastic or SS Base LED 指示灯条塑料 / 不锈钢安装底座

- ID Bar of Black Plastic Base or Stamped 304 Stainless Steel Base in dull finish
- Consisting of (3) marker lamps #112508RL snapped in and locked in place on the base
- Surface mount on holes of 6" (150mm) centers
- Stripped lead wires directly coming out the wire harness underneath the base
- Meets DOT FMVSS 108/SAE requirements
- Rated for 12V, tested to 13.8V
- Also available in multi-voltage 10~30V operating range, or 24V by special order

Part No.	Description	Finish	Input Voltage	Lighting Color	Lamp Count	Current Draw at 13.8V
131503R	ID Bar, Black Plastic	Black	12 V	Red	3x112508RL	0.15 A
131703R	ID Bar, Stainless Steel	Dull	12 V	Red	3x112508RL	0.15 A



131703



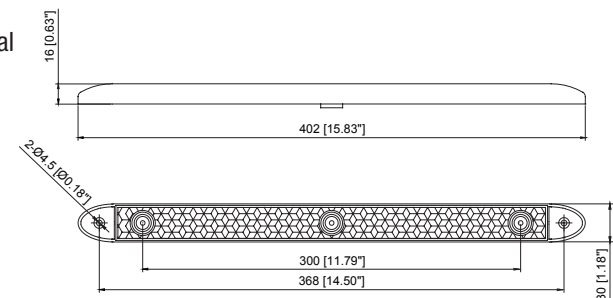
131503



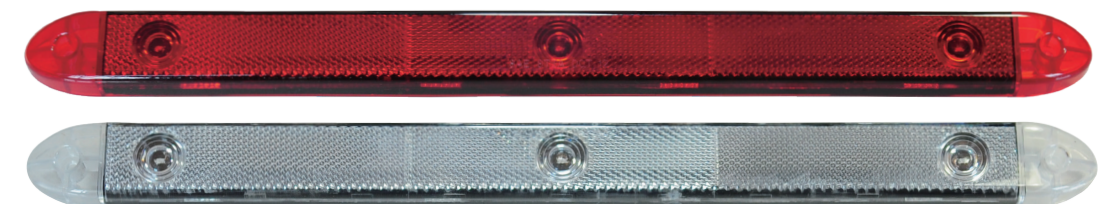
16" Slim-Line LED Identification Light Bar w/ Reflex Lens 16" LED 指示灯条, 灯罩带反射

- 3 SMD LEDs, reflex lens
- PC lens and housing, welded together to ensure a permanent and water proof seal
- Meets DOT FMVSS 108/SAE requirements for indicator (identification) function
- Rated for 12V, tested to 13.8V
- Also available in multi-voltage 10~30V operating range or 24V by special order

Part No.	Description	Input Voltage	Lighting Color	LED Count	Current Draw (mA) at 13.8V
116233R	Red Lens/Red Light	12 V	Red	3	0.02 A
116233CR	Clear Lens/Red Light	12 V	Red	3	0.02 A



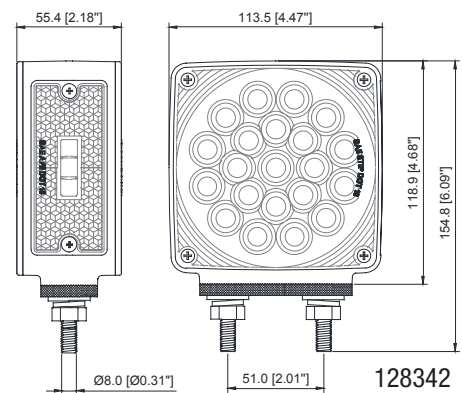
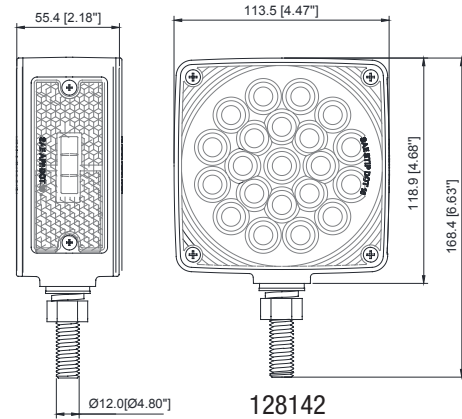
116233



New!

LED Square Dual Face Park & Turn Light W/ Side Marker, Pedestal Mount 方形双面 LED 驻车 / 转向灯 (带侧指示灯)

- LED dual face park and turn light with built-in amber side marker with reflex
- Available in single post or double posts models, pedestal mount
- 21 LEDs each face, amber lens facing the front of vehicle and red lens facing to the rear, 3 LEDs for side marker, available in driver side and passenger side models
- Chrome plated plastic housing and PC lens
- Hard-wired, 3-wires with protective sleeve
- Meets SAE/FMVSS requirements, lens marking STIP, and AP2 on the side marker
- Rated for 12V, tested to 13.8V
- Also available in multi-voltage 10~30V operating range, or 24V by special order

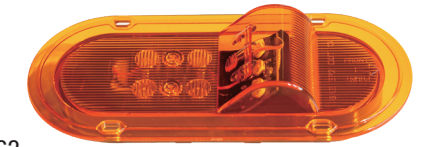


Part No.	Description	Input Voltage	LED Count & Lighting Color	LED Type	Current Draw at 13.8V
128142AR-L	Single Post Dual Face Amber/Red, Driver (Left) Side	12V	21A+21R+3A	SMD	0.40A/0.07A
128142AR-R	Single Post Dual Face Amber/Red, Passenger (Right) Side	12V	21A+21R+3A	SMD	0.40A/0.07A
128142AA-L	Single Post Dual Face Amber/Amber, Driver (Left) Side	12V	21A+21A+3A	SMD	0.40A/0.07A
128142AA-R	Single Post Dual Face Amber/Amber 12V Passenger (Right) Side	12V	21A+21A+3A	SMD	0.40A/0.07A
128142ARM-L	Single Post Dual Face Amber/Red, Driver (Left) Side, Multi-volt	12~24V	21A+21R+3A	SMD	0.40A/0.07A
128142ARM-R	Single Post Dual Face Amber/Red, Passenger (Right) Side, Multi-volt	12~24V	21A+21R+3A	SMD	0.40A/0.07A
128342AR-L	Double Post Dual Face Amber/Red, Driver (Left) Side	12V	21A+21R+3A	SMD	0.40A/0.07A
128342AR-R	Double Post Dual Face Amber/Red Passenger (Right) Side	12V	21A+21R+3A	SMD	0.40A/0.07A
128342AA-L	Double Post Dual Face Amber/Amber 12V Driver (Left) Side	12V	21A+21A+3A	SMD	0.40A/0.07A
128342AA-R	Double Post Dual Face Amber/Amber 12V Passenger (Right) Side	12V	21A+21A+3A	SMD	0.40A/0.07A
128342ARM-L	Double Post Dual Face Amber/Red Driver (Left) Side, Multi-volt	12~24V	21A+21R+3A	SMD	0.40A/0.07A
128342ARM-R	Double Post Dual Face Amber/Red, Passenger (Right) Side, Multi-volt	12~24V	21A+21R+3A	SMD	0.40A/0.07A

6" Mid Turn Light LED, Flange Mount & Grommet Mount 6" 中间转向灯

- Innovative new designs of 6" Oval LED Mid Turn Lights, using (3) hi-power LEDs with alum heat sink and (6) SMD LEDs, super bright and long life span up to 50,000 hours
- Engineered lens optics to comply with SAE requirements for lighting at different angles in wide range
- 106373A/R series feature built-in reflex reflector and can also be used as Front or Rear side lamp
- Mid Turn function, Hi Mode=Turn Signal, Low Mode=Side Marker, applicable for long vehicles
- PC lens and housing welded and potted together on the back to ensure a permanent and weather proof seal.
- Available in both flange mount and grommet mount
- Connections available in both built-in AMP 3-pin female socket and standard 3-prong connector
- Meets DOT FMVSS 108/SAE J2039 (E E2) requirements on Hi Mode and P2P3 on low mode
- Rated for 12V, tested to 13.8V
- Also available in multi-voltage 10~30V operating range, or 24V by special order

Part No.	Description	Connection Type	Input Voltage	Lighting Color	LED Count	Current Draw (mA) at 13.8V
106363A	Amber Kit, Flange Mount	3-Pin AMP	12V	Amber	3+6	0.35/0.05 A
106363AM	Kit Amber, Flange Mount, Multi-volt	3-Pin AMP	10~30V	Amber	3+6	0.35/0.05 A
106369A	Amber Kit, Grommet Mount	3-Pin AMP	12V	Amber	3+6	0.35/0.05 A
106369AM	Amber Kit, Grommet Mount, Multi-volt	3-Pin AMP	10~30V	Amber	3+6	0.35/0.05 A
106373A	Reflex Lens Amber Kit, Grommet Mount	3-Prong Pigtail Plug	12V	Amber	3+6	0.35/0.05 A
106373AM	Reflex Lens Amber Kit, Grommet Mount, Multi-volt	3-Prong Pigtail Plug	10~30V	Amber	3+6	0.35/0.05 A
106373R	Reflex Lens Red Kit, Grommet Mount	3-Prong Pigtail Plug	12V	Red	3+6	0.35/0.05 A
106373RM	Reflex Lens Red Kit, Grommet Mount, Multi-volt	3-Prong Pigtail Plug	10~30V	Red	3+6	0.35/0.05 A
106200G	Grommet Only for 6" Oval Light					
906403P	Standard Right Angle 3 Prong Plug for 6" Oval Light					
TE 282105-1	3-Pin AMP Female Plug to fit 3-Pin AMP Connector					



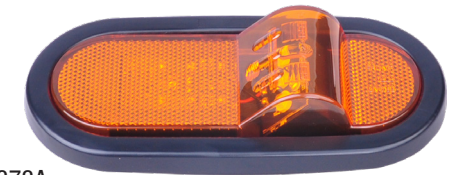
106363



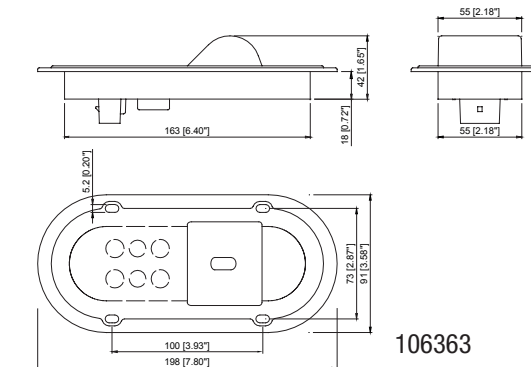
106369



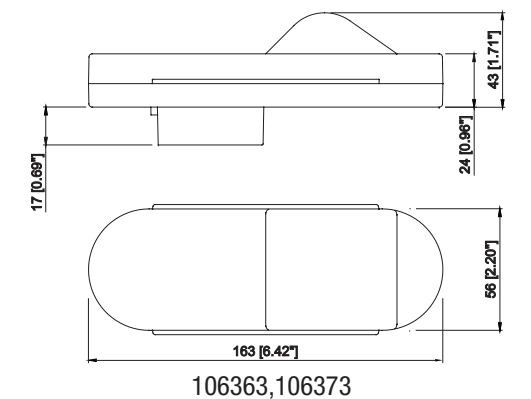
106373R



106373A



106363



106363, 106373

New!



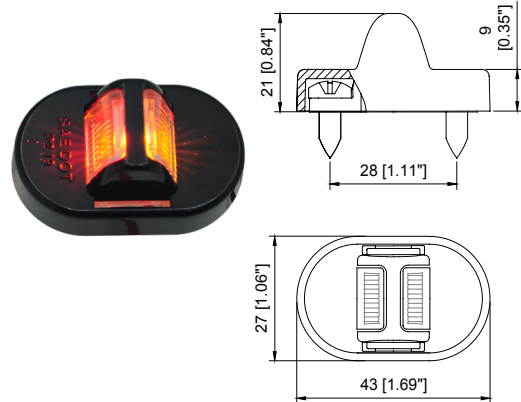
122002C

122002B

Mini LED Fender Light (Amber/Red) LED 迷你挡泥板灯 (黄色 / 红色)

- Surface mount, compact in size
- This Mini Fender Light consists of Amber as front clearance light and Red as rear clearance light with durable snap-on ABS Cover available in black or chromed finish, and is suitable for use on less or over 80" trailers
- Installs on top or side of most fenders of both left side and right side to indicate widest point on trailers
- Fits #10 fasteners for mounting
- One SMD LED each for Amber and Red, super bright and long life span up to 50,000 hours
- Completely epoxy sealed on backside to ensure water proof and weather resistance, IP65 rated
- Both Amber and Red lights meet DOT FMVSS 108/SAE P2 requirements
- Rated for 12V, tested to 13.8V

Part No.	Description	Input Voltage	Lighting Color	LED Count	Current Draw at 13.8V
122002B	Light with Black ABS Cover	12 V	Amber/Red	2	0.05 A
122002C	Light with Chromed Cover	12 V	Amber/Red	2	0.05 A



New!



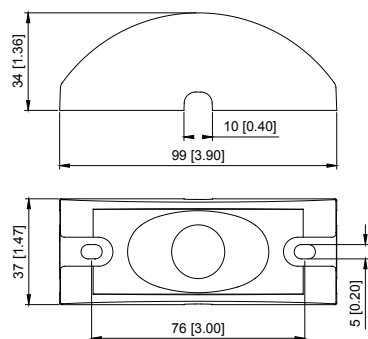
202903A

202822A

LED Marker and Clearance Light Assembly with Guard Bracket LED 带安装支架侧灯 / 指示灯

- This light assembly consists of an Amber Marker Clearance Light with durable ABS bracket to protect the light from damaging; bracket available in finishes of Black color, Chromed or Grey color, surface mount
- Versions of individual light 112802A or 112903A mounted on the bracket, featuring impact and weather resistance
- Fits #10 fasteners for mounting
- Amber lights meet DOT FMVSS 108/SAE P2PC requirements
- Rated for 12V, tested to 13.8V

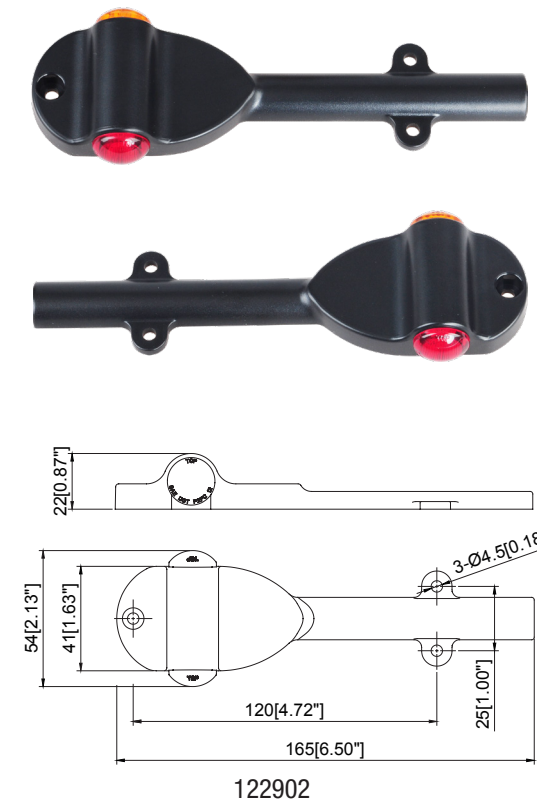
Part No.	Description	Bracket Finish	Light P/N	Input Volt	Lighting Color	Current Draw at 13.8V
202802A	Oval Amber Light Grey Bracket	Grey	112802A	12 V	Amber	0.04 A
202812A	Oval Amber Light Black Bracket	Black	112802A	12 V	Amber	0.04 A
202822A	Oval Amber Light Chromed Bracket	Chrome	112802A	12 V	Amber	0.04 A
202903A	Round Amber Light Grey Bracket	Grey	112903A	12 V	Amber	0.02 A
202913A	Round Amber Light Black Bracket	Black	112903A	12 V	Amber	0.02 A
202923A	Round Amber Light Chromed Bracket	Chrome	112903A	12 V	Amber	0.02 A
202800BL	Guard Bracket Black Color					
202800CH	Guard Bracket Chromed Color					
202800GR	Guard Bracket Grey Color					



Fender Light Assembly Pre-wired 挡泥板灯

- Pre-wired fender light assembly consists of Amber front clearance light and Red rear clearance light with durable ABS bracket in black color, suitable for less or over 80" applications
- Install on top or side of most fenders of both left side and right side to indicate widest point on trailers
- Fits #8 fasteners for mounting
- Individual Amber or Red light is 112901A and 112901R featuring water proof and impact resistance
- Both Amber and Red lights meet DOT FMVSS 108/SAE P2PC requirements
- Rated for 12V, tested to 13.8V

Part No.	Description	Input Voltage	Lighting Color	Lamp Count	Current Draw (mA) at 13.8V
122902AR-L	Left Side Fender Light Amber Lens/Light & Red Lens/Light	12 V	Amber/Red	2	100 mA
122902AR-R	Right Side Fender Light Amber Lens/Light & Red Lens/Light	12 V	Amber/Red	2	100 mA
122902CAR-L	Left Side Fender Light Clear Lens/Amber and Red Light	12 V	Amber/Red	2	100 mA
122902CAR-R	Right Side Fender Light Clear Lens/Amber and Red Light	12 V	Amber/Red	2	100 mA



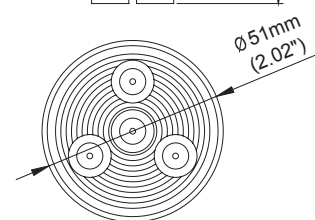
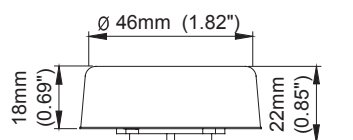
Euro Style Fender Mount Light 欧式挡泥板灯

- Euro style fender mount light assembly consists of White Color (or Amber Color) front position light and Red Color rear indicator light with durable PP bracket in black color
- Install both left hand and right hand lights on top or side of fenders to indicate widest point on trailers
- Fits 4.2mm screws (or US #8) fasteners for mounting
- Weather proof lamps and impact resistant bracket
- White/Red combination complies with ECE (E-Mark) requirements, rated for 10-30V
- Amber/Red combination meets DOT FMVSS 108/SAE P2PC requirements, rated for 12V, tested to 13.8V

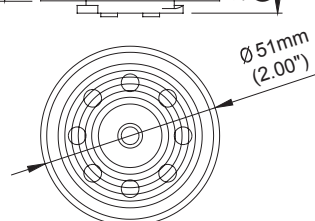
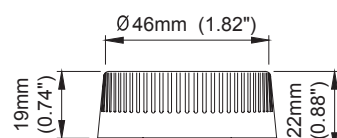
Part No.	Description	Input Voltage	Lighting Color	Lamp Count	LED Type	Current Draw (A) at 13.8V
121502AR-L	Left Hand Amber Front & Red Rear	12 V	Amber/Red	2	SMD	0.04 A
121502AR-R	Right Hand Amber Front & Red Rear	12 V	Amber/Red	2	SMD	0.04 A
121502WRM-L	Left Hand White Front & Red Rear, E-Mark Certified	10-30 V	White/Red	2	SMD	0.04 A
121502WRM-R	Right Hand White Front & Red Rear, E-Mark Certified	10-30 V	White/Red	2	SMD	0.04 A



2" LED Round Marker and Clearance 2" LED 侧灯 / 指示灯



102003



102009

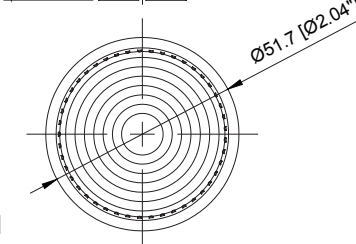
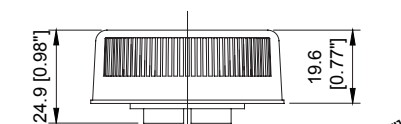
- Available in versions of (3) SMD LEDs and (9) 5mm LEDs
- Features engineered lens optics, functions as clearance light, side marker or identification light
- PC lens and housing ultrasonically welded together to ensure a permanent and water proof seal
- Right angle 2-pin plug assembly, PVC grommet mounting
- LED circuit board coated with conformal coating for excellent moisture and environmental protection
- Super long life span up to 100,000 hours
- Meets DOT FMVSS 108/SAE requirements
- Rated for 12V, tested to 13.8V
- Also available in multi-voltage 10~30V operating range, or 24V by special order

Part No.	Description	Input Voltage	Lighting Color	LED Count	LED Type	Current Draw (mA) at 13.8V
102003R	Grommet Kit	12 V	Red	3	SMD	60 mA
102003A	Grommet Kit	12 V	Amber	3	SMD	60 mA
102003RM	Kit, Multi-voltage	12~24 V	Red	3	SMD	60 mA
102003AM	Kit, Multi-voltage	12~24 V	Amber	3	SMD	60 mA
102009R	Grommet Kit	12 V	Red	9	SMD	60 mA
102009A	Grommet Kit	12 V	Amber	9	SMD	60 mA
102009RM	Kit, Multi-voltage	12~24 V	Red	9	SMD	60 mA
102009AM	Kit, Multi-voltage	12~24 V	Amber	9	SMD	60 mA
102000G	Grommet only for 2" Round M/C Light					
922502P	Standard 2-pin Plug for 2" & 2-1/2" M/C Light					

2" Round LED Marker and Clearance Single LED 2" LED 侧灯 / 指示灯, 一颗 LED

- (1) SMD LED of up-to-date technology, super bright
- Grommet mount, fits 2-pin plug of right angle
- Features engineered lens optics, functions as clearance light, side marker or identification light
- PC lens and housing ultrasonically welded together to ensure a permanent and water proof seal
- Meets DOT FMVSS 108/SAE requirements, P2 rated
- Also available in multi-voltage 10~30V operating range, or 24V by special order

Part No.	Description	Input Voltage	Lighting Color	LED Count	LED Type	Current Draw (mA) at 13.8V
102031A	Grommet Kit	12 V	Amber	1	SMD	50 mA
102031AL	Lamp Only	12 V	Amber	1	SMD	50 mA
102031AM	Kit, Multi-voltage	12~24 V	Amber	1	SMD	50 mA
102031R	Grommet Kit	12 V	Red	1	SMD	50 mA
102031RL	Lamp Only	12 V	Red	1	SMD	50 mA
102031RM	Kit, Multi-voltage	12~24 V	Red	1	SMD	50 mA
102000G	Grommet only for 2" Round M/C Light					
922502P	Standard 2-pin Plug for 2" & 2-1/2" M/C Light					

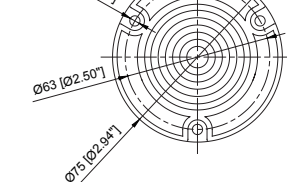
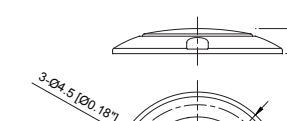


102031

2" Round LED Marker and Clearance Light Surface Mount 2" 单 LED 表面安装侧灯 / 指示灯

- Surface mount, available in Black Plastic or Chrome Plated Bezel
- Direct lead wires
- (1) SMD LED of up-to-date technology, super bright
- Features engineered lens optics, functions as clearance light, side marker or identification light
- PC lens and housing ultrasonically welded together to ensure a permanent and water proof seal.
- Meets DOT FMVSS 108/SAE requirements
- Rated for 12V, tested to 13.8V

Part No.	Description	Input Voltage	Lighting Color	LED Count	LED Type	Current Draw (mA) at 13.8V
102051A	Black Bezel Amber	12 V	Amber	1	SMD	50 mA
102051R	Black Bezel Red	12 V	Red	1	SMD	50 mA
102051AP	Chromed Bezel Amber	12 V	Amber	1	SMD	50 mA
102051RP	Chromed Bezel Red	12 V	Red	1	SMD	50 mA



102051

LED MARKER & CLEARANCE LIGHTS

New!

2" LED Round Marker and Clearance Lt, Flange Mount 2" LED 侧灯 / 指示灯法兰表面安装



102103



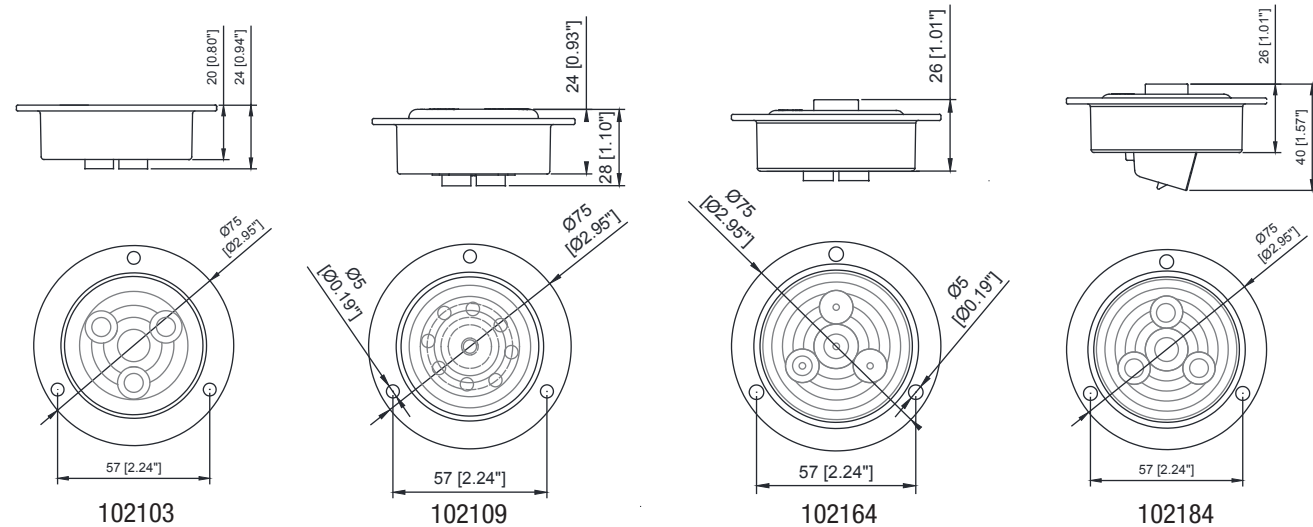
102109



102164
102184

- Flange mount style of various 2" LED marker and clearance lamps. Flange is tightly welded with the lamps
- Lamps feature engineered lens optics complying with PC rating, functions as clearance light, side marker or identification light
- PC lens and housing ultrasonically welded together to ensure a permanent and weather proof seal.
- Lamps fit standard right angle 2-prong plug
- Meets DOT FMVSS 108/SAE requirements
- Rated for 12V, tested to 13.8V
- Also available in multi-voltage 10~30V operating range, or 24V by special order

Part No.	Description	Connector Type	Input Voltage	Lighting Color	LED Count	LED Type	Current Draw at 13.8V
102103A	Flange Mount	2-Prong	12 V	Amber	3	SMD	0.09 A
102103R	Flange Mount	2-Prong	12 V	Red	3	SMD	0.09 A
102109A	Flange Mount	2-Prong	12 V	Amber	9	SMD	0.09 A
102109R	Flange Mount	2-Prong	12 V	Red	9	SMD	0.09 A
102164A	Flange Mount, P2PC	2-Prong	12 V	Amber	4	SMD	0.09 A
102164R	Flange Mount, P2PC	2-Prong	12 V	Red	4	SMD	0.09 A
102184A	Flange Mount, P2PC	2-Pin AMP	12 V	Amber	4	SMD	0.09 A
102184R	Flange Mount, P2PC	2-Pin AMP	12 V	Red	4	SMD	0.09 A
922502P	Standard 2-Prong Plug for 2" & 2-1/2" M/C Lights						
TE 282104-1	2-Pin AMP Female Plug fitting all 2-Pin AMP Connectors						



LED MARKER & CLEARANCE LIGHTS

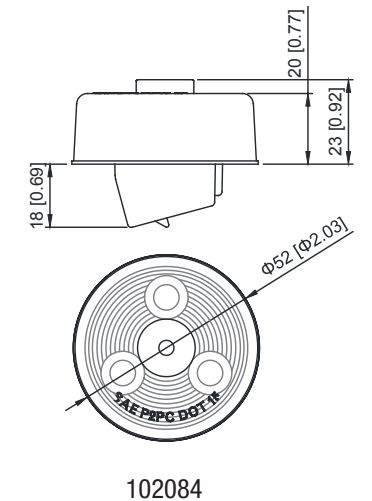
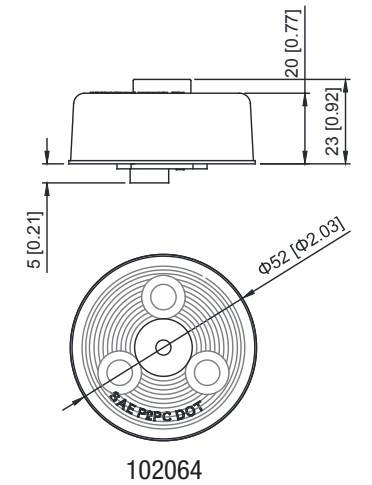
New!

2" LED Round Marker and Clearance Light PC Rated 2" LED 侧灯 / 指示灯 (符合美国 PC 标准)



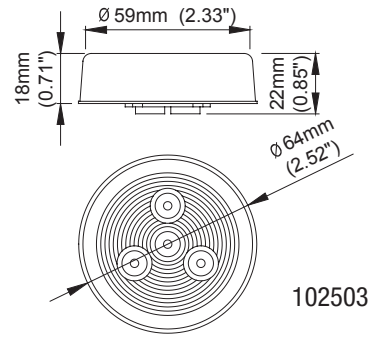
- (4) SMD LEDs, super bright and long life span up to 50,000 hours
- Features engineered lens optics complying with PC rating, functions as clearance light, side marker or identification light
- Grommet mount
- Available in 2-pin AMP male connector or standard 2-prong connector
- PC lens and housing ultrasonically welded together to ensure a permanent and weather proof seal
- Meets DOT FMVSS 108/SAE requirements, PC rated; Lens marking: P2PC
- Rated for 12V, tested to 13.8V
- Also available in multi-voltage 10~30V operating range, or 24V by special order

Part No.	Connector Type	Description	Input Voltage	Lighting Color	LED Count	LED Type	Current Draw (mA) at 13.8V
102064A	2-Prong	Grommet Kit	12 V	Amber	4	SMD	0.05 A
102064R	2-Prong	Grommet Kit	12 V	Red	4	SMD	0.05 A
102064AL	2-Prong	Lamp Only	12 V	Amber	4	SMD	0.05 A
102064RL	2-Prong	Lamp Only	12 V	Red	4	SMD	0.05 A
102084A	2-Pin AMP	Grommet Kit	12 V	Amber	4	SMD	0.05 A
102084R	2-Pin AMP	Grommet Kit	12 V	Red	4	SMD	0.05 A
102084AL	2-Pin AMP	Lamp Only	12 V	Amber	4	SMD	0.05 A
102084RL	2-Pin AMP	Lamp Only	12 V	Red	4	SMD	0.05 A
102000G	Grommet only for 2" Round M/C Light						
922502P	Standard 2-Prong Plug for 2" & 2-1/2" M/C Light						
TE 282104-1	2-Pin AMP Female Plug fitting all 2-Pin AMP Connectors						

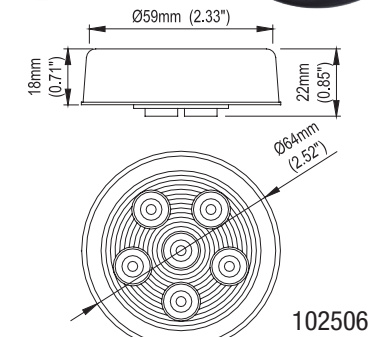


2-1/2" LED Round Marker and Clearance 2.5" LED 侧灯 / 指示灯

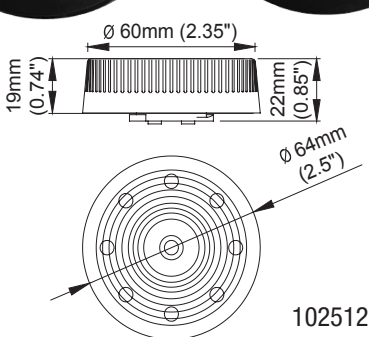
- Choice of 3 SMD LEDs and 6 SMD LEDs, or 12 SMD LEDs
- Features engineered lens optics, functions as clearance light, side marker or identification light; 6 LED version in Red color (102506R) can also use as a tail light
- PC lens and housing ultrasonically welded together to ensure a permanent and water proof seal
- Right angle 2-pin plug assembly, PVC grommet mounting
- LED circuit board coated with conformal coating for excellent moisture and environmental protection
- Super long life span up to 100,000 hours
- Meets DOT FMVSS 108/SAE requirements
- Rated for 12V, tested to 13.8V
- Also available in multi-voltage 10~30V operating range, or 24V by special order



102503



102506



102512

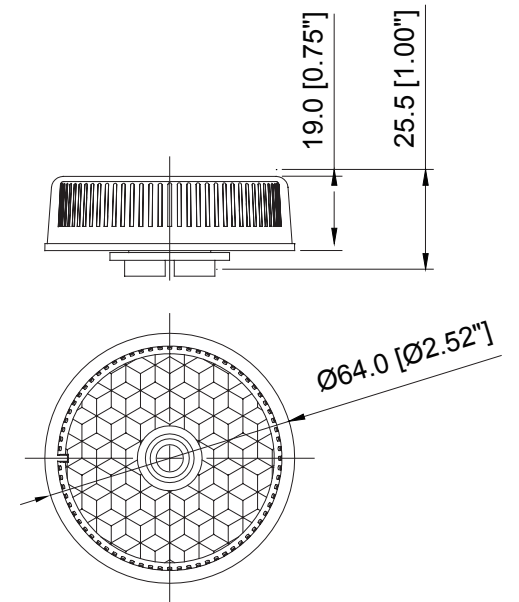
Part No.	Description	Input Voltage	Lighting Color	LED Count	LED Type	Current Draw (mA) at 13.8V
102503R	Grommet Kit	12 V	Red	3	SMD	60 mA
102503A	Grommet Kit	12 V	Amber	3	SMD	60 mA
102503RM	Kit, Multi-voltage	12~24 V	Red	3	SMD	60 mA
102503AM	Kit, Multi-voltage	12~24 V	Amber	3	SMD	60 mA
102506R	Grommet Kit	12 V	Red	6	SMD	120 mA
102506A	Grommet Kit	12 V	Amber	6	SMD	120 mA
102506RM	Kit, Multi-voltage	12~24 V	Red	6	SMD	120 mA
102506AM	Kit, Multi-voltage	12~24 V	Amber	6	SMD	120 mA
102512R	Grommet Kit	12 V	Red	12	SMD	60 mA
102512A	Grommet Kit	12 V	Amber	12	SMD	60 mA
102512RM	Kit, Multi-voltage	12~24 V	Red	12	SMD	60 mA
102512AM	Kit, Multi-voltage	12~24 V	Amber	12	SMD	60 mA
102500G	Grommet only for 2-1/2" Round M/C Light					
922502P	Standard 2-pin Plug for 2" & 2-1/2" M/C Light					

2-1/2" Round LED Marker and Clearance w/ Reflex Reflector 2.5" 带反光齿 LED 侧灯 / 指示灯

- Available in versions of (1) SMD LED or (4) SMD LEDs in up-to-date technology, super bright
- Grommet mount, fits 2-pin plug of right angle
- Lens with reflex reflector
- Features engineered lens optics, functions as clearance light, side marker or identification light
- PMMA (Acrylic) lens and housing ultrasonically welded together to ensure a permanent and water proof seal.
- Meets DOT FMVSS 108/SAE requirements, P2A rated
- Also available in multi-voltage 10~30V operating range, or 24V by special order



Part No.	Description	Input Voltage	Lighting Color	LED Count	LED Type	Current Draw (mA) at 13.8V
102531A	Grommet Kit	12 V	Amber	1	SMD	50 mA
102531AL	Lamp Only	12 V	Amber	1	SMD	50 mA
102531AM	Kit, Multi-voltage	12~24 V	Amber	1	SMD	50 mA
102531R	Grommet Kit	12 V	Red	1	SMD	50 mA
102531RL	Lamp Only	12 V	Red	1	SMD	50 mA
102531RM	Kit, Multi-voltage	12~24 V	Red	1	SMD	50 mA
102534A	Grommet Kit	12 V	Amber	4	SMD	60 mA
102534AL	Lamp Only	12 V	Amber	4	SMD	60 mA
102534AM	Kit, Multi-voltage	12~24 V	Amber	4	SMD	60 mA
102534R	Grommet Kit	12 V	Red	4	SMD	60 mA
102534RL	Lamp Only	12 V	Red	4	SMD	60 mA
102534RM	Kit, Multi-voltage	12~24 V	Red	4	SMD	60 mA
102500G	Grommet only for 2-1/2" Round M/C Lights					
922502P	Standard 2-pin Plug for 2" & 2-1/2" M/C Lights					



102531, 102534

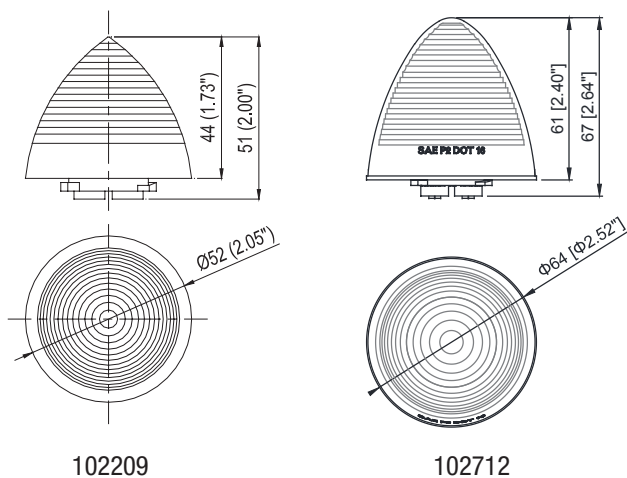
LED MARKER & CLEARANCE LIGHTS

2" & 2.5" LED Beehive Marker and Clearance Lights 2" 及 2.5" LED 蜂窝形侧灯 / 指示灯



- SMD LEDs, (9) for 2" lamp and (12) for 2.5" lamp
- Beehive style LED light functions as clearance light, side marker or identification light
- PC lens and housing ultrasonically welded together to ensure a permanent and weather proof seal.
- Right angle 2-pin plug assembly, PVC grommet mounting
- Rated for 12V, tested to 13.8V

Part No.	Size	Description	Input Voltage	Lighting Color	LED Count	LED Type	Current Draw (mA) at 13.8V
102209A	2"	Grommet Kit	12 V	Amber	9	SMD	0.05 A
102209AL	2"	Lamp Only	12 V	Amber	9	SMD	0.05 A
102209R	2"	Grommet Kit	12 V	Red	9	SMD	0.05 A
102209RL	2"	Lamp Only	12 V	Red	9	SMD	0.05 A
102712A	2.5"	Grommet Kit	12 V	Amber	12	SMD	0.08 A
102712AL	2.5"	Lamp Only	12 V	Amber	12	SMD	0.08 A
102712R	2.5"	Grommet Kit	12 V	Red	12	SMD	0.08 A
102712RL	2.5"	Lamp Only	12 V	Red	12	SMD	0.08 A
102000G		Grommet only for 2" M/C Lamps (and Beehive Lamps)					
102500G		Grommet only for 2.5" M/C Lamps (and Beehive Lamps)					
922502P		Standard 2-Prong Plug for 2" & 2-1/2" M/C Lights					



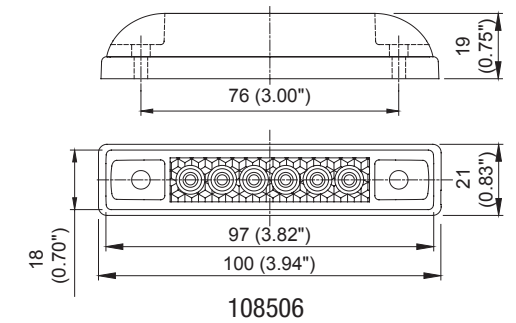
LED MARKER & CLEARANCE LIGHTS

4" Slim Line LED Marker and Clearance Light 4" LED 长条灯

- This surface mount Slim Line LED Light features engineered lens optics; red and amber models can function as side marker, clearance and identification light; Clear, Green and Blue colors are ideal for lighting or decorating interior and exterior of boats, RV and other vehicles
- Black rubber gasket included for mounting to all surfaces
- Two bare end wires of 6" (15mm) length, separate lead wire and ground wire
- 6 LEDs of super flux (P4) type, super bright
- LED circuitry is completely potted by epoxy to ensure permanent and water proof seal, Submersible
- Red and amber models meet DOT FMVSS 108/SAE requirements for marker and clearance light
- Rated for 12V, tested to 13.8V
- Also available in multi-voltage 10~30V operating range, or 24V by special order



Part No.	Description	Input Voltage	Lens Color	Lighting Color	LED Count	Current Draw (mA) at 13.8V
108506R	4" Light Red	12 V	Clear	Red	6	100 mA
108506A	4" Light Amber	12 V	Clear	Amber	6	100 mA
108506C	4" Light Clear	12 V	Clear	White	6	40 mA
108506G	4" Light Green	12 V	Clear	Green	6	40 mA
108506B	4" Light Blue	12 V	Clear	Blue	6	40 mA
108506RR	4" Light Red/Red	12 V	Red	Red	6	100 mA
108506AA	4" Light Amber/Amber	12 V	Amber	Amber	6	100 mA
108506RM	4" Light, Multi-volt	12~24 V	Clear	Red	6	100 mA
108506AM	4" Light, Multi-volt	12~24 V	Clear	Amber	6	100 mA
108506CM	4" Light, Multi-volt	12~24 V	Clear	White	6	100mA



LED MARKER & CLEARANCE LIGHTS



2.6"x1" LED Marker & Clearance Light, Surface Mount 2.6"x1" LED 侧灯 / 指示灯

- 2 LEDs of super flux SMD type
- Features engineered lens optics, functions as clearance light, side marker or identification light
- Surface mount design, two-wire design includes separate lead and ground wires
- PC lens and housing ultrasonically welded in a single unit, LED circuit board completely sealed by epoxy to ensure a permanent and water proof seal
- Rubber or foam gasket for mounting to all surfaces is available by separate order
- A special light guard in highly polished stainless steel for protection also available
- Choice of decorative Sleek Type or Rectangular Type Chromed Bezels as optional variant of the same lights
- Red and amber models meet DOT FMVSS 108/SAE requirements, amber and white models also meet ECE requirements (E-MARK certified)
- Rated for 12V, tested to 13.8V
- Also available in multi-voltage 10~30V operating range, or 24V by special order only

Part No.	Description	Input Voltage	Lighting Color	LED Count	Current Draw (mA) at 13.8V
112602R	Lamp only	12 V	Red	2	60 mA
112602A	Lamp only	12 V	Amber	2	60 mA
112602C	Lamp only	12 V	C. White	2	20 mA
112602RM	Lamp only, Multi-voltage	12~24 V	Red	2	60 mA
112602AM	Lamp only, Multi-voltage	12~24 V	Amber	2	60 mA
112602CM	Lamp only, Multi-voltage	12~24 V	C. White	2	20 mA
112682R	Light Kit w/Rectangular Bezel	12 V	Red	2	60 mA
112682A	Light Kit w/Rectangular Bezel	12 V	Amber	2	60 mA
112682C	Light Kit w/Rectangular Bezel	12 V	C. White	2	20 mA
112692R	Light Kit w/Sleek Bezel	12 V	Red	2	60 mA
112692A	Light Kit w/Sleek Bezel	12 V	Amber	2	60 mA
112692C	Light Kit w/Sleek Bezel	12 V	C. White	2	20 mA
112692RM	Light Kit w/Sleek Bezel Multi-voltage	12~24 V	Red	2	60 mA
112692AM	Light Kit w/Sleek Bezel Multi-voltage	12~24 V	Amber	2	60 mA
112692CM	Light Kit w/Sleek Bezel Multi-voltage	12~24 V	C. White	2	20 mA
112600RG	Spare Rubber Gasket only for M/C Lights of 112602 Series				
112600FG	Spare Foam Gasket only for M/C Lights of 112602 Series				
112600GS	Light Guard Stainless Steel (Fit 112602 Series)				
112680CB	Spare Chromed Bezel Rectangular Type (Fit 112602 Series)				
112690CB	Spare Chromed Bezel Sleek Type (Fit 112602 Series)				

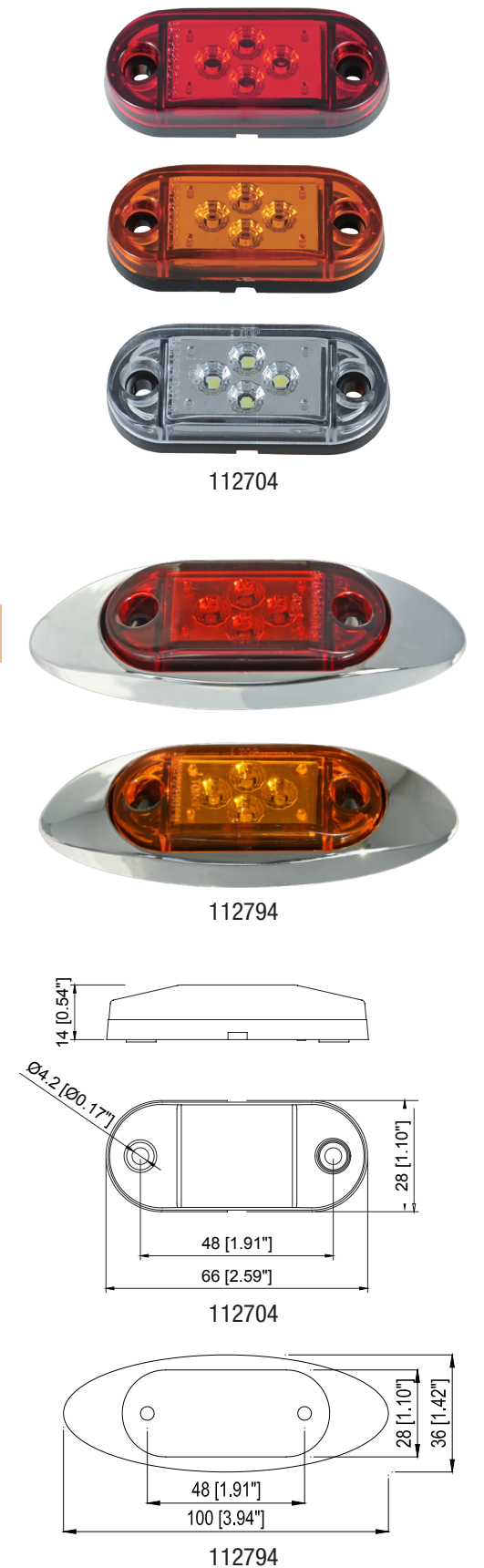


LED MARKER & CLEARANCE LIGHTS

2.6" x 1" LED Marker & Clearance Light, Vertical or Horizontal Mount 2.6" x 1" LED 侧灯 / 指示灯, 垂直或水平安装

- Designed specially for either Horizontal Mount or Vertical Mount to comply with DOT FMVSS 108/SAE P2 P3 requirements on either mounting direction
- 4 LEDs of SMD type, features engineered lens optics and low profile, functions as clearance light or side marker
- PC lens and housing welded and potted together on the back to ensure a permanent and water proof seal
- Rubber or foam gasket for mounting to all surfaces is available by separate order
- Optional decorative Sleek Type or Rectangular Type Chromed Bezels available
- Meets DOT FMVSS 108/SAE requirements
- Rated for 12V, tested to 13.8V
- Also available in multi-voltage 10~30V operating range, or 24V by special order

Part No.	Description	Input Voltage	Lighting Color	LED Count	Current Draw (mA) at 13.8V
112704R	Lamp only	12 V	Red	4	40 mA
112704A	Lamp only	12 V	Amber	4	40 mA
112704C	Lamp only	12 V	Clear	4	40 mA
112704RM	Lamp only, Multi-voltage	12~24	Red	4	40 mA
112704AM	Lamp only, Multi-voltage	12~24	Amber	4	40 mA
112704CM	Lamp only, Multi-voltage	12~24	Clear	4	40 mA
112784R	Light Kit w/Rectangular Bezel	12 V	Red	4	40 mA
112784A	Light Kit w/Rectangular Bezel	12 V	Amber	4	40 mA
112784C	Light Kit w/Rectangular Bezel	12 V	Clear	4	40 mA
112794R	Light Kit w/Sleek Bezel	12 V	Red	4	40 mA
112794A	Light Kit w/Sleek Bezel	12 V	Amber	4	40 mA
112794C	Light Kit w/Sleek Bezel	12 V	Clear	4	40 mA
112794RM	Light Kit w/Sleek Bezel, Multi-voltage				
112794AM	Light Kit w/Sleek Bezel, Multi-voltage				
112794CM	Light Kit w/Sleek Bezel, Multi-voltage				
112600RG	Spare Rubber Gasket only for M/C Lights of 112602 & 112704 series				
112600FG	Spare Foam Gasket only for M/C Lights of 112602 & 112704 series				
112680CB	Spare Chromed Bezel Rectangular Type (fits 112602 & 112704 series)				
112690CB	Spare Chromed Bezel Sleek Type (fits 112602 & 112704 series)				



0.8" Mini Oval LED Marker & Clearance Light 0.8" LED 迷你椭圆指示灯

- 2 LEDs of SMD type
- Features engineered lens optics, functions as clearance light, side marker or identification light, ideal for any application on trailer and universal
- Compact size, easy for installation by drilling a 3/4" hole and pushing in
- Two-wire design includes separate lead and ground wires with bullet terminals
- PC lens, ABS housing and LED circuitry completely sealed by epoxy to ensure a permanent and water proof seal.
- Meets PC and P2 rating of DOT FMVSS 108/SAE requirements
- Rated for 12V, tested to 13.8V

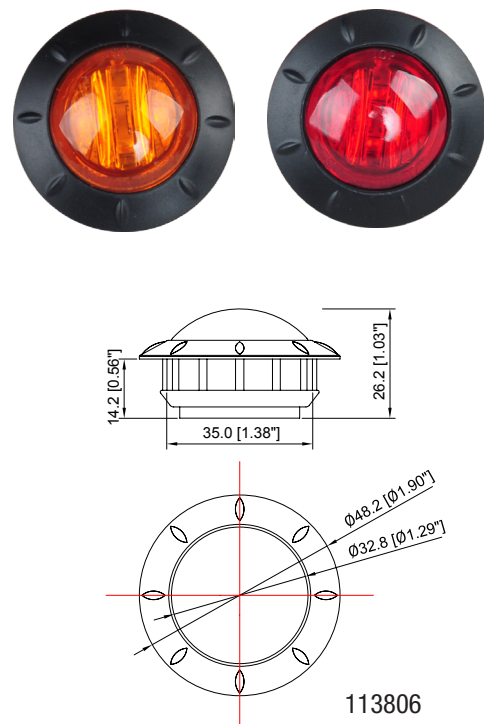
Part No.	Description	Input Voltage	LED Count	Lighting Color	Current Draw (mA) at 13.8V
112802R	Red Light Kit w/ Bullet Ends	12 V	2	Red	40 mA
112802A	Amber Light Kit w/ Bullet Ends	12 V	2	Amber	40 mA
112802C	Clear Light Kit w/ Bullet Ends	12 V	2	Clear	40 mA
112822R	Red Light w/ Bullet Ends & SS Bezel	12 V	2	Red	40 mA
112822A	Amber Light w/ Bullet Ends & SS Bezel	12 V	2	Amber	40 mA
112822C	Clear Light w/ Bullet Ends & SS Bezel	12 V	2	Clear	40 mA
112852R	Red Light Kit w/ Bare Wire Ends	12 V	2	Red	40 mA
112852A	Amber Light Kit w/ Bare Wire Ends	12 V	2	Amber	40 mA
112852C	Clear Light Kit w/ Bare Wire Ends	12 V	2	Clear	40 mA
112800S	Stainless Steel Bezel Highly Polished				



1.5" Round LED Marker & Clearance Light 1.5" LED 指示灯

- 6 LEDs of SMD type
- Features engineered lens optics, functions as clearance light, side marker or identification light, ideal for any application on trailer and universal
- Compact size, easy for installation by cutting out a 1-3/8" (35mm) hole and pushing in
- Two-wire design includes separate lead and ground wires with bullet terminals
- PC lens, ABS housing and LED circuitry completely sealed by epoxy to ensure a permanent and water proof seal.
- Meets PC and P2 rating of DOT FMVSS 108/SAE requirements
- Rated for 12V, tested to 13.8V
- Also available in multi-voltage 10~30V operating range or 24V by special order

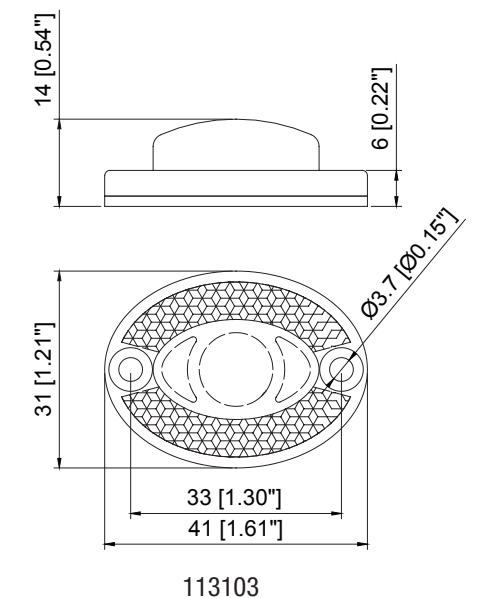
Part No.	Description	Input Voltage	LED Count	Lighting Color	Current Draw (mA) at 13.8V
113806R	Red Light Kit with Bullet Ends	12 V	6	Red	40 mA
113806A	Amber Light Kit with Bullet Ends	12 V	6	Amber	40 mA
113806C	Clear Light Kit with Bullet Ends	12 V	6	Clear	40 mA
113856R	Red Light Kit with Straight Wire	12 V	6	Red	40 mA
113856A	Amber Light Kit with Straight Wire	12 V	6	Amber	40 mA
113856C	Clear Light Kit with Straight Wire	12 V	6	Clear	40 mA



LED Marker & Clearance Light with Reflex, Surface Mount Mini Oval 表面安装椭圆形 LED 迷你指示灯带反射

- 3 LEDs of SMD type
- Features engineered lens optics plus reflex, functions as clearance light, side marker or identification light; ideal for any applications on trailer and universal
- Surface mount and compact size, easy installation with no cut-out
- Rubber gasket and 2 fasteners included
- Two-wire design includes separate lead and ground wires with .180" (4.6mm) bullet terminals, or stripped bare wire ends
- PC lens, ABS housing and LED circuitry completely sealed by epoxy to ensure a permanent and water proof seal
- Meets PC and P2 rating of DOT FMVSS 108/SAE requirements
- Rated for 12V, tested to 13.8V
- Also available in multi-voltage 10~30V operating range, or 24V for special order

Part No.	Description	Input Voltage	Lens Color	Lighting Color	LED Count	Current Draw (mA) at 13.8V
113103A	Amber Lens/Amber Light w/ Bullet Ends	12 V	Amber	Amber	3	20 mA
113103C	Clear Light w/ Bullet Ends	12 V	Clear	White	3	20 mA
113103R	Red Lens/Red Light w/ Bullet Ends	12 V	Red	Red	3	20 mA
113103CA	Clear Lens/Amber Light w/ Bullet Ends	12 V	Clear	Amber	3	20 mA
113103CB	Clear Lens/Blue Light w/ Bullet Ends	12 V	Clear	Blue	3	20 mA
113103CG	Clear Lens/Green Light w/ Bullet Ends	12 V	Clear	Green	3	20 mA
113103CR	Clear Lens/Red Light w/ Bullet Ends	12 V	Clear	Red	3	20 mA
113153A	Amber Lens/Amber Light w/ Stripped Wires	12 V	Amber	Amber	3	20 mA
113153C	Clear Light w/ Stripped Wires	12 V	Clear	White	3	20 mA
113153R	Red Lens/Red Light w/ Stripped Wires	12 V	Red	Red	3	20 mA
113153CA	Clear Lens/Amber Light w/ Stripped Wires	12 V	Clear	Amber	3	20 mA
113153CB	Clear Lens/Blue Light w/ Stripped Wires	12 V	Clear	Blue	3	20 mA
113153CG	Clear Lens/Green Light w/ Stripped Wires	12 V	Clear	Green	3	20 mA
113153CR	Clear Lens/Red Light w/ Stripped Wires	12 V	Clear	Red	3	20 mA
113100GK	Gasket Fits All 113103/113153 Series					

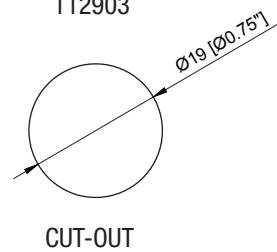
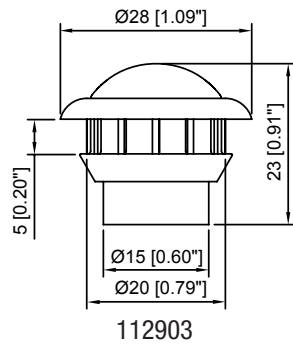


LED MARKER & CLEARANCE LIGHTS

0.8" Mini Round LED Marker & Clearance Light 0.8" LED 迷你圆形指示灯

- 3 LEDs of SMD type, super bright and long life span up to 50,000 hours
- Features engineered lens optics, functions as clearance light, side marker or identification light, ideal for any application on trailer and universal
- **New design of Non-Directional version (112901 series) for easy installation in any direction**
- Compact size, easy for installation by drilling a 3/4" hole and pushing in
- Two-wire design includes separate lead and ground wires with or without .180" bullet connectors
- PC lens, ABS housing and LED circuitry completely sealed by epoxy to ensure a permanent and water proof seal.
- Meets DOT FMVSS 108/SAE requirements, P2 and PC rated
- Rated for 12V, tested to 13.8V
- Also available in multi-voltage 10~30V operating range, or 24V by special order

Part No.	Description	Input Voltage	Lighting Color	LED Count	Current Draw (mA) at 13.8V
112901R	Non-directional Red Light w/Bullet Ends	12 V	Red	1	0.12 A
112911R	Non-directional Red Light Bare Wire Ends	12 V	Red	1	0.12 A
112901A	Non-directional Amber Light w/Bullet Ends	12 V	Amber	1	0.12 A
112911A	Non-directional Amber Light Bare Wire Ends	12 V	Amber	1	0.12 A
112901C	Non-directional White Light w/Bullet Ends	12 V	C. White	1	0.12 A
112911C	Non-directional White Light Bare Wire Ends	12 V	C. White	1	0.12 A
112903R	Red Light Kit w/ Bullet Ends	12 V	Red	3	20 mA
112903A	Amber Light Kit w/ Bullet Ends	12 V	Amber	3	20 mA
112903C	White Light Kit w/ Bullet Ends	12 V	C. White	3	20 mA
112903CB	Clear Lens/Blue Light with Bullet Ends	12 V	Blue	3	20 mA
112923R	Red Light Kit w/ Bullet Ends & SS Ring	12 V	Red	3	20 mA
112923A	Amber Light Kit w/ Bullet Ends & SS Ring	12 V	Amber	3	20 mA
112923C	White Light Kit w/ Bullet Ends & SS Ring	12 V	C. White	3	20 mA
112923CB	Clear Lens/Blue Light w/ Bullet Ends & SS Ring	12 V	Blue	3	20 mA
112953R	Red Light Kit w/ Bare Wire Ends	12 V	Red	3	20 mA
112953A	Amber Light Kit w/ Bare Wire Ends	12 V	Amber	3	20 mA
112953C	White Light Kit w/ Bare Wire Ends	12 V	C. White	3	20 mA
112953CB	Clear Lens/Blue Light w/ Bare Wire Ends	12 V	Blue	3	20 mA
112903RM	Red Light Kit w/ Bullet Ends, Multi-voltage	12~24	Red	3	20 mA
112903AM	Amber Light Kit w/ Bullet Ends, Multi-voltage	12~24	Amber	3	20 mA
112903CM	White Light Kit w/ Bullet Ends, Multi-voltage	12~24	C. White	3	20 mA
112900S	Stainless Steel Ring Highly Polished Fits 112903 & 113001 Series				



New! Non-Directional 112901 Series

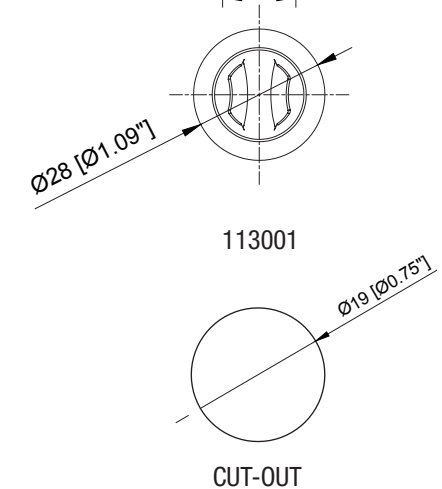
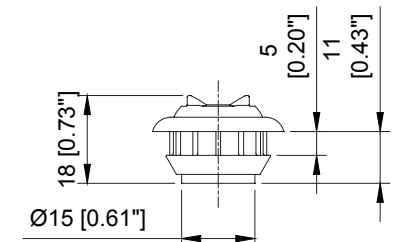


LED MARKER & CLEARANCE LIGHTS

3/4" Mini Round LED Marker & Clearance Light 3/4" LED 迷你圆形指示灯

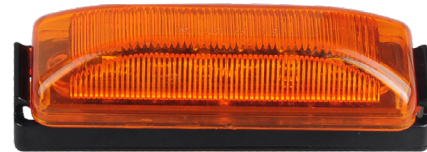
- (1) SMD LED super bright
- Features engineered lens optics, functions as clearance light, side marker or identification light, P2 PC rated, ideal for any application on trailer and universal
- Compact size, easy for installation by drilling a 3/4" hole and pushing in
- 3-wire Hi/Low brightness modes available
- Available in stripped wires or 0.18" (4.5mm) bullet ends(connectors)
- PC lens, ABS housing and LED circuitry completely sealed by epoxy to ensure a permanent and water proof seal
- Meets PC and P2 rating of DOT FMVSS 108/SAE requirements
- Rated for 12V, tested to 13.8V
- Also available in multi-voltage 10~30V operating range, or 24V by special order

Part No.	Description	Input Voltage	Lighting Color	LED Count	Current Draw (A) at 13.8V
113001R	Red Lens/Red Light w/ Bullet Ends	12 V	Red	1	0.04 A
113001R3	Red Lens/Red Light Hi-Low Mode w/ Bullet Ends	12 V	Red	1	0.10/0.04 A
113001A	Amber Lens/Amber Light w/ Bullet Ends	12 V	Amber	1	0.10 A
113001C	Clear Light w/ Bullet Ends	12 V	Clear	1	0.20 A
113001CB	Clear Lens/Blue Light with Bullet Ends	12 V	Blue	1	0.02 A
113021R	Red Lens/Red Light w/ Bullet Ends & SS Ring	12 V	Red	1	0.04 A
113021R3	Red Lens/Red Light Hi-Low Mode w/ Bullet Ends & SS Ring	12 V	Red	1	0.10/0.04 A
113021A	Amber Lens/Amber Light w/ Bullet Ends & SS Ring	12 V	Amber	1	0.10 A
113021C	Clear Light w/ Bullet Ends & SS Ring	12 V	Clear	1	0.02 A
113021CB	Clear Lens/Blue Light w/ Bullet Ends & SS Ring	12 V	Blue	1	0.02 A
113051R	Red Lens/Red Light w/ Stripped Wires	12 V	Red	1	0.04 A
113051R3	Red Lens/Red Light Hi-Low Mode w/ Stripped Wires	12 V	Red	1	0.10/0.04 A
113051A	Amber Lens/Amber Light w/ Stripped Wires	12 V	Amber	1	0.10 A
113051C	Clear Light w/ Stripped Wires	12 V	Clear	1	0.02 A
113051CB	Clear Lens/Blue Light w/ Stripped Wires	12 V	Blue	1	0.02 A
113001RM	Red Light w/ Bullet Ends, Multi-voltage	12~24V	Red	1	0.04 A
113001AM	Amber Light w/ Bullet Ends, Multi-voltage	12~24V	Amber	1	0.10 A
113001CM	Clear Light w/ Bullet Ends, Multi-voltage	12~24V	Clear	1	0.02 A
112900S	Stainless Steel Ring Highly Polished Fits 112903 & 113001 Series				



LED MARKER & CLEARANCE LIGHTS

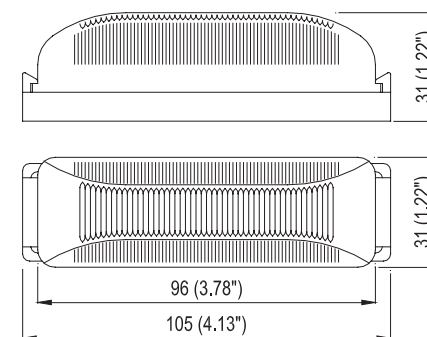
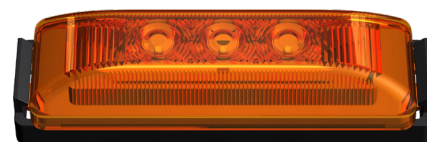
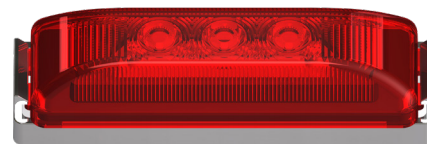
4"x1" LED Rectangular Marker & Clearance Light 4"x1" LED 侧灯 / 指示灯



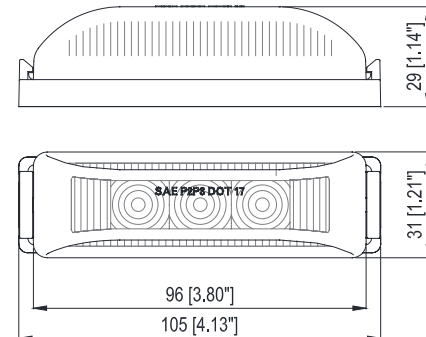
- Available in economical version of (3) SMD LEDs and traditional (12) 5mm LEDs
- Functions as clearance, side marker or identification light
- PC lens and housing sonically welded in a single lamp unit to ensure a permanent and weather proof seal
- Easy installation by snapping the lamp unit onto the base mount bracket; ideal for retrofit of traditional incandescent lights
- Base mount bracket with industry standard 3" centers; self ground and one separate lead wire for mounting to metal surfaces (two wires version by special order only)
- Meets DOT FMVSS 108/SAE requirements
- Rated for 12V, tested to 13.8V
- Also available in 24V version and 10-30V multi-voltage version by special order only

Part No.	Description	Input Voltage	Lighting Color	LED Count	LED Type	Current Draw at 13.8V
114003A	Chromed Base Mount Kit	12 V	Amber	3	SMD	0.04 A
114003AL	Lamp only	12 V	Amber	3	SMD	0.04 A
114003R	Chromed Base Mount Kit	12 V	Red	3	SMD	0.04 A
114003RL	lamp only	12 V	Red	3	SMD	0.04 A
114103A	Black Base Mount Kit	12 V	Amber	3	SMD	0.04 A
114103R	Black Base Mount Kit	12 V	Red	3	SMD	0.04 A
114012A	Chromed Base Mount Kit	12 V	Amber	12	SMD	0.06 A
114012AL	Lamp only	12 V	Amber	12	SMD	0.06 A
114012R	Chromed Base Mount Kit	12 V	Red	12	SMD	0.06 A
114012RL	Lamp only	12 V	Red	12	SMD	0.06 A
114112A	Black Base Mount Kit	12 V	Amber	12	SMD	0.06 A
114112R	Black Base Mount Kit	12 V	Red	12	SMD	0.06 A
114000MB	Spare 4"x1" Rectangular Mounting Bracket, Black Plastic					
114000MC	Spare 4"x1" Rectangular Mounting Bracket, Chromed Plastic					

New!



114012



114003

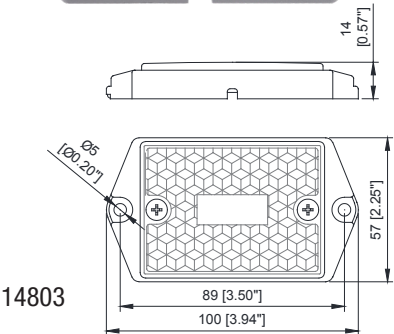
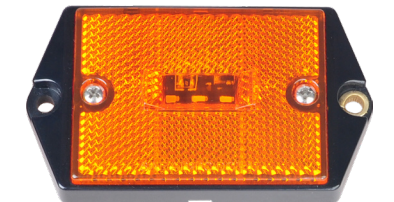
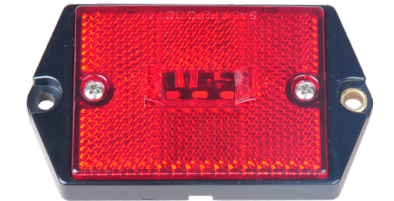
LED MARKER & CLEARANCE LIGHTS

Rectangular Surface Mount LED Marker Clearance Light with Reflex 长方形表面安装 LED 侧指示灯 / 轮廓灯带回复反射

New!

- (3) SMD LEDs of super bright and long life span up to 50,000 hours
- Lens screwed on, replaceable. Lens with built-in reflex reflector
- Surface mount black plastic base
- Functions as side marker, clearance or identification light
- Epoxy potted LED board to ensure a permanent and weather proof seal;
- Self grounding and a separate 6" (150mm) lead wire (optional .180 male bullet connector available)
- In compliance with DOT FMVSS 108/SAE, P2PC rated; lens marking: AP2PC
- Rated for 12V, designed for 13.8V
- Also available in multi-voltage 10~30V operating range, or 24V by special order only

Part No.	Description	Input Voltage	Lighting Color	LED Count	Current Draw at 13.8V
114803A	Light Kit Amber	12 V	Amber	3	0.04 mA
114803R	Light Kit Red	12 V	Red	3	0.04 mA
114803AM	Light Kit Amber, Multi-volt	12~24 V	Amber	3	0.04 mA
114803RM	Light Kit Red, Multi-volt	12~24 V	Red	3	0.04 mA



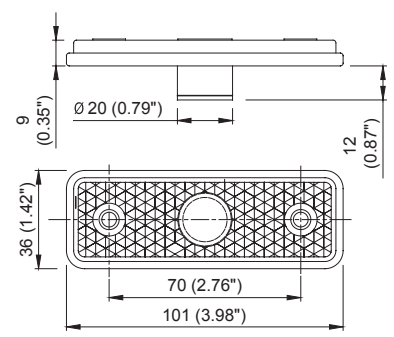
114803

4"x1.2" Oblong LED Marker and Clearance Reflex 4"x1.2" LED 侧灯带反射

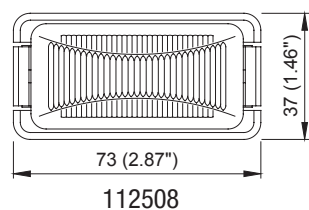
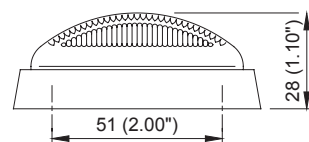
E

- 3 LEDs of super bright SMD type
- Features reflex lens plus engineered lens optics in center above LED; functions as side marker or clearance light
- Surface mount design, two-wire design contains separate lead and ground wires
- PC lens and housing ultrasonically welded in a single unit, LED circuit board completely sealed by epoxy to ensure a permanent and water proof seal.
- Rubber gasket for mounting to all surfaces included
- Meets DOT FMVSS 108/SAE requirements, amber model also meets ECE requirements
- Rated for 12V, tested to 13.8V
- Also available in multi-voltage 10~30V operating range, or 24V by special order only

Part No.	Description	Input Voltage	Lighting Color	LED Count	Current Draw (mA) at 13.8V
112403R	Lamp Kit Red with Gasket	12 V	Red	3	20 mA
112403A	Lamp Kit Amber with Gasket	12 V	Amber	3	20 mA
112403C	Lamp Kit Clear with Gasket	12 V	Clear	3	20 mA
112403RM	Lamp Kit Red, Multi-voltage	12~24 V	Red	3	20 mA
112403AM	Lamp Kit Amber, Multi-voltage	12~24 V	Amber	3	20 mA
112403CM	Lamp Kit Clear, Multi-voltage	12~24 V	Clear	3	20 mA



112403



3"x1-1/2" LED Marker & Clearance Light 3"x1-1/2" LED 侧灯

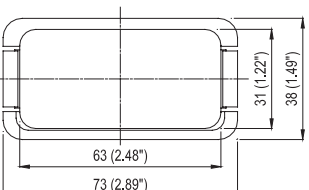
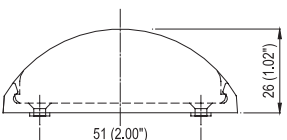
- 8 LEDs of 5mm type
- Functions as clearance, side marker or identification light
- PC lens and housing ultrasonically welded in a single lamp unit to ensure a permanent and water proof seal; install easily by snapping lamp unit on base mount bracket; bracket available in chrome plated and black finishes; ideal for retrofit of traditional incandescent lights of the leading brands
- Two-wire plug contains separate lead and ground wires for mounting to all surfaces; available in multiple wiring and mounting options by special order
- Meets DOT FMVSS 108/SAE requirements
- Rated for 12V, tested to 13.8V
- Also available in multi-voltage 10~30V operating range or 24V by special order

Part No.	Description	Input Voltage	Lighting Color	LED Count	Current Draw (mA) at 13.8V
112508RL	Lamp only	12 V	Red	8	40 mA
112508AL	Lamp only	12 V	Amber	8	40 mA
112508R	Chrome Base Mount Kit	12 V	Red	8	40 mA
112508A	Chrome Base Mount Kit	12 V	Amber	8	40 mA
112508RM	Chrome Kit, Multi-voltage	12~24 V	Red	8	40 mA
112508AM	Chrome Kit, Multi-voltage	12~24 V	Amber	8	40 mA
112500MB	Spare 3"x1-1/2" Rectangular Mounting Bracket, Black Plastic				
112500MC	Spare 3"x1-1/2" Rectangular Mounting Bracket, Chromed Plastic				

3"x1-1/2" Dual Color LED Marker Light 3"x1.5" LED 双色侧灯

- Super bright 2 LEDs of super flux type
- Clear lens dual color LED marker light, lens appears crystal clear when light is off. Also available in single color of Red, Amber and Cool White
- Plastic guard bracket, available in black and chrome plated finishes
- Durable PC lens and housing ultrasonically welded in a single lamp unit to ensure a permanent and water proof seal;
- Surface mount on 2" (51 mm) centers, two bare end lead wires
- Rated for 12V, tested to 13.8V
- Also available in multi-voltage 10~30V operating range or 24V by special order

Part No.	Description	Input Voltage	Lighting Color	LED Count	Current Draw (mA) at 13.8V
113202RA	Light Unit Dual Color	12 V	Red/Amber	2	60 mA
113202R	Light Unit Red Color	12 V	Red	2	60 mA
113202A	Light Unit Amber Color	12 V	Amber	2	60 mA
113202C	Light Unit White Color	12 V	white	2	60 mA
113202RAM	Light Unit Dual Color MV	12~24 V	Red/Amber	2	60 mA
113202RM	Light Unit Red Color MV	12~24 V	Red	2	60 mA
113202AM	Light Unit Amber Color MV	12~24 V	Amber	2	60 mA
113202CM	Light Unit White Color MV	12~24 V	white	2	60 mA

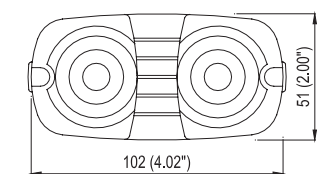
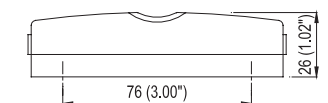


113202

4"x2" Rectangular Bull-Eye Marker & Clearance Light 4"x2" LED 牛眼侧灯

- Optional 10 SMDs economical version or 16 of 5mm LEDs regular version
- Functions as clearance, side marker or identification light
- Snap-on PC lens, replaceable; Surface mount base features concealed mounting screw holes with industry standard 3" centers
- 114210 series come with a self-grounding terminal on the mounting hole, while 114216 series with two-wire design including separate lead and ground wires
- LED circuit board coated with conformal coating for excellent moisture and environmental protection
- Meets DOT FMVSS 108/SAE requirements
- Rated for 12V, tested to 13.8V
- Also available in dual voltage 12~24V operating range or 24V by special order

Part No.	Description	Input Voltage	Lighting Color	LED Type	LED Count	Current Draw (mA) at 13.8V
114210R	Economical Kit	12 V	Red	SMD	10	30 mA
114210A	Economical Kit	12 V	Amber	SMD	10	30 mA
114210RM	Eco Kit, Dual Voltage	12~24 V	Red	SMD	10	30/60 mA
114210AM	Eco Kit, Dual Voltage	12~24 V	Amber	SMD	10	30/60 mA
114216R	Regular Kit	12 V	Red	5mm	16	75 mA
114216A	Regular Kit	12 V	Amber	5mm	16	75 mA
114216RM	Regular Kit, Dual Voltage	12~24 V	Red	5mm	16	36/75 mA
114216AM	Regular Kit, Dual Voltage	12~24 V	Amber	5mm	16	36/75 mA

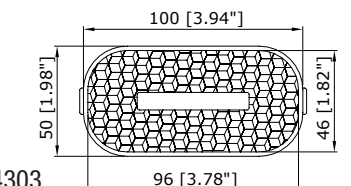
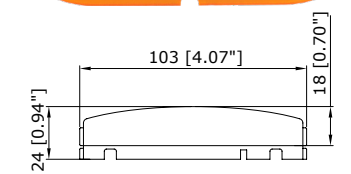
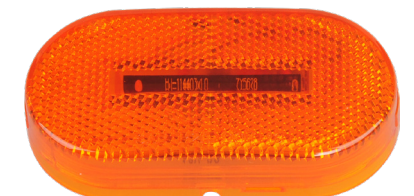


114216

4"x2" LED Oblong Marker and Clearance with Reflex 4"x2" 灯罩带反射 LED 侧灯 / 示廓灯

- Innovatively adopts up-to-date LED technology of super-bright SMD diodes
- Features engineered lens optics plus reflex lens, functions as marker or clearance light
- PC lens and housing, snap-in lens type, easy for installation
- Two bare end lead wire, each 8" long
- LED circuitry completely sealed by epoxy to ensure a permanent and water proof seal.
- Meets P2 rating of DOT FMVSS 108/SAE requirements
- Rated for 12V, tested to 13.8V
- Also available in dual voltage 12~24V operating range or 24V by special order

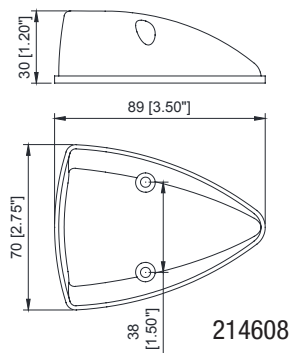
Part No.	Description	Input Voltage	LED Type	LED Count	Lighting Color	Current Draw (mA) at 13.8V
114303R	Light Kit Red	12 V	SMD5050	3	Red	20 mA
114303A	Light Kit Amber	12 V	SMD5050	3	Amber	20 mA
114303RM	Light Kit Red MV	12~24 V	SMD5050	3	Red	20 mA
114303AM	Light Kit Amber MV	12~24 V	SMD5050	3	Amber	20 mA



114303

LED MARKER & CLEARANCE LIGHTS

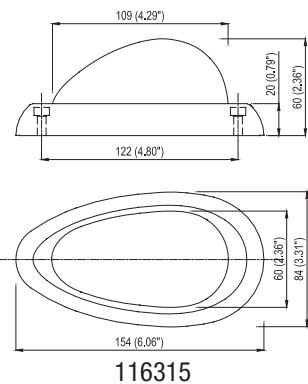
New!



LED Triangle Cab Clearance Light LED 三角形驾驶室顶灯 / 轮廓灯

- (8) SMD LEDs
- Functions as Cab and clearance light
- PC lens and housing sonically welded in a single lamp unit to ensure a permanent and weather proof seal
- Surface mount with mounting gasket included
- Separate lead wire and ground wire with stripped ends
- Meets DOT FMVSS 108/SAE requirements, PC rated; lens marking: P2PC
- Rated for 12V, tested to 13.8V
- Also available in 10-30V multi-voltage version and 24V version by special order only

Part No.	Description	Input Voltage	Lighting Color	LED Count	LED Type	Current Draw at 13.8V
214608A	Light Kit Amber	12 V	Amber	8	SMD	0.08 mA
214608R	Light Kit Red	12 V	Red	8	SMD	0.08 mA



6"x3" LED Heavy-duty Marker & Clearance 6"x3" LED 蛋形侧指示灯

- 15 LEDs of super flux (P4) type
- Functions as side marker or clearance, ideal for heavy-duty truck and trailer
- Surface mount design; available in decorative chrome plated bezel; PC lens, housing and LED circuitry are all sealed together by epoxy in a single unit to ensure a permanent, weather durable and water proof seal; Two-wire design includes separate lead and ground wires
- Meets DOT FMVSS 108/SAE requirements
- Rated for 12V, tested to 13.8V
- Also available in multi-voltage 10~30V operating range, or 24V by special order only

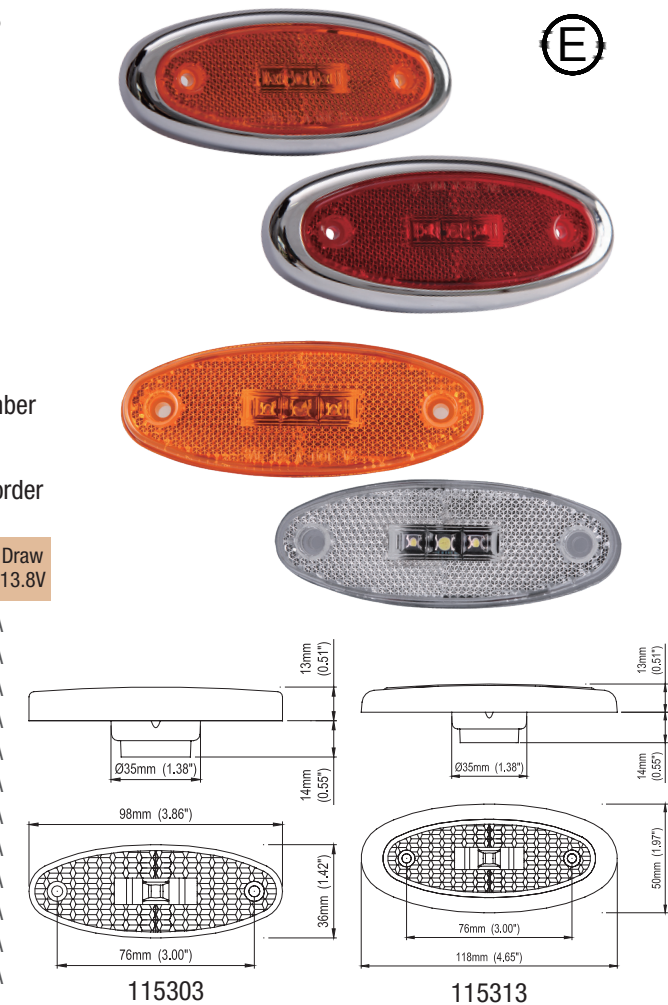
Part No.	Description	Input Voltage	LED Count	Lighting Color	Current Draw (mA) at 13.8V
116315AL	Lamp Only	12 V	15	Amber	250 mA
116315A	Lamp Kit w/ Bezel	12 V	15	Amber	250 mA
116315AM	Lamp Kit, Multi-voltage	12~24V	15	Amber	250 mA
116315CAL	Clear Lens Amber Lamp Only	12 V	15	Amber	250 mA
116315CA	Clear Lens Amber Kit w/ Bezel	12 V	15	Amber	250 mA

LED MARKER & CLEARANCE LIGHTS

3.9" Oval LED Marker Light with Reflex Lens 3.9" LED 椭圆侧指示灯

- 3 LEDs of super flux (SMD) type
- Reflex lens, functions as side marker, clearance or identification light
- Surface mount design features industry standard 3" centers
- Available in optional decorative Snap-on chrome plated bezel
- PC lens, housing and LED circuitry are all sealed together by epoxy in a single unit to ensure a permanent, weather durable and water proof seal;
- Two-wire design includes separate lead and ground wires
- Meets DOT FMVSS 108/SAE and ECE requirements, E-Mark certified for Amber
- Rated for 12V, designed for 13.8V
- Also available in multi-voltage 10~30V operating range, or 24V by special order

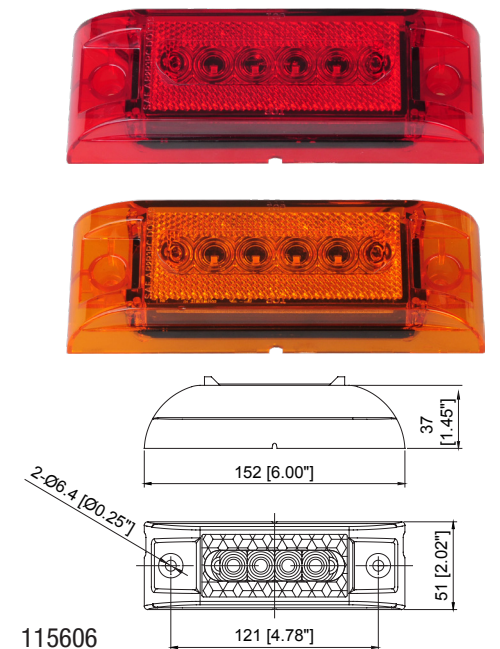
Part No.	Description	Input Voltage	Lighting Color	LED Count	Current Draw (mA) at 13.8V
115303R	Light only Red	12V	Red	3	50 mA
115303A	Light only Amber	12V	Amber	3	50 mA
115303C	Light only Clear	12V	White	3	50 mA
115313R	Light with Chromed Bezel Red	12V	Red	3	50 mA
115313A	Light with Chromed Bezel Amber	12V	Amber	3	50 mA
115313C	Light with Chromed Bezel Clear	12V	White	3	50 mA
115303RM	Light only Red, Multi-voltage	12~24V	Red	3	50 mA
115303AM	Light only Amber, Multi-voltage	12~24V	Amber	3	50 mA
115303CM	Light only Clear, Multi-voltage	12~24V	White	3	50 mA
115313RM	Light w/ Bezel Red, Multi-voltage	12~24V	Red	3	50 mA
115313AM	Light w/ Bezel Amber, Multi-voltage	12~24V	Amber	3	50 mA
115313CM	Light w/ Bezel Clear, Multi-voltage	12~24V	White	3	50 mA



6" LED Marker Clearance Turn Light w/ Reflex Reflector 6" LED 侧指示灯带反光齿

- (6) SMD LEDs, super bright
- Surface mount on 4-3/4" centers
- PC lens with reflex reflector features engineered lens optics, PC rated, functions as side marker or clearance light, or as turn light.
- The lens and the base is ultrasonically welded together and epoxy sealed to ensure a permanent weather resistant
- 3 hard wires design
- Meets DOT FMVSS 108/SAE requirements, P2P3PC rated
- Rated for 12V, tested to 13.8V. Also available in 24V by special order only

Part No.	Description	Input Voltage	LED Count	Lighting Color	Current Draw (A) at 13.8V
115606A	Amber Lens/Amber Light	12 V	6	Amber	0.10 A
115606R	Red Lens/Red Light	12 V	6	Red	0.10 A
115606AM	Amber Multi-volt	12-24 V	6	Amber	0.10 A
115606RM	Red Multi-volt	12-24 V	6	Red	0.10 A

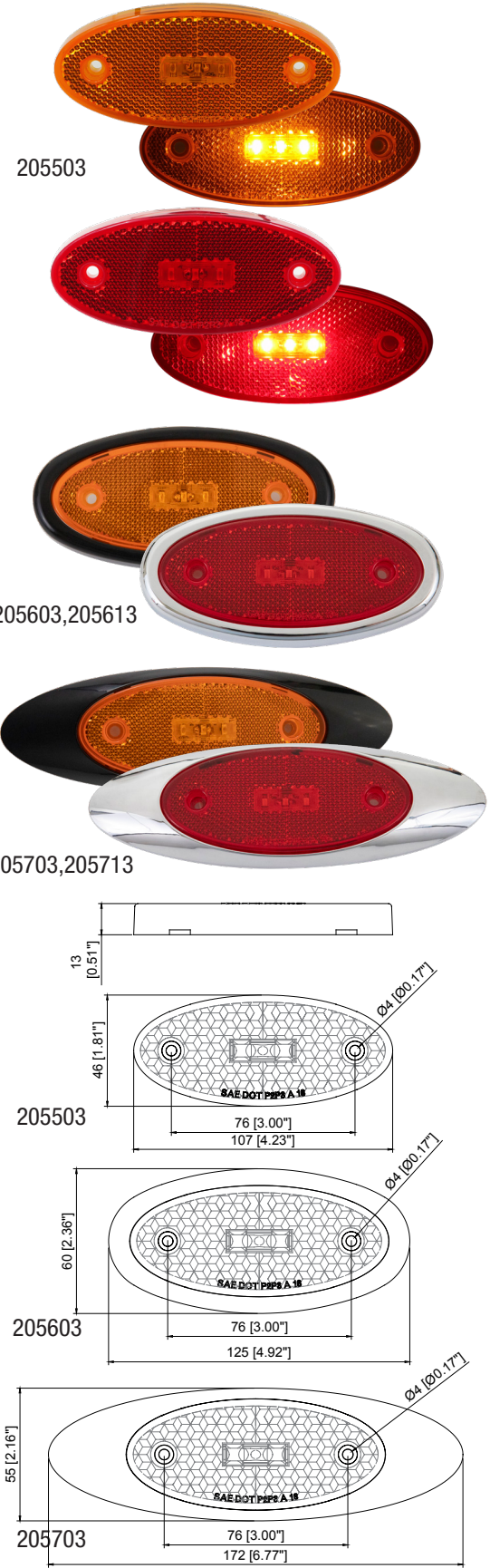


New!

4.2" Oval LED Marker Light with Reflex Lens 4.2" 椭圆带反光齿 LED 侧指示灯

- 3 SMD LEDs, super bright
- Engineered lens optics with reflex reflector built in, functions as side marker, clearance, identification or front position light
- Surface mount design features industry standard 3" centers; available in optional decorative chrome plated bezels in oval or sleek shapes
- PC lens and ABS back plate are sonically welded together
- LED circuitry are completely sealed by epoxy to ensure a permanent, weather durable and water proof seal
- Two-wire design includes separate lead and ground wires
- In compliance with DOT FMVSS 108/SAE and ECE requirements; P2 P3 A lens marking; E-Mark certified for amber color
- Rated for 12V, tested to 13.8V
- Also available in multi-voltage 10~30V operating range, or 24V by special order

Part No.	Description	Input Voltage	Lighting Color	LED Count	Current Draw (A) at 13.8V
205503A	Amber Lamp Only	12V	Amber	3	0.03 A
205503R	Red Lamp Only	12V	Red	3	0.03 A
205603A	Amber Light Kit w/ Chromed Oval Bezel	12V	Amber	3	0.03 A
205603R	Red Light Kit w/ Chromed Oval Bezel	12V	Red	3	0.03 A
205613A	Amber Light Kit w/ Black Oval Bezel	12V	Amber	3	0.03 A
205613R	Red Light Kit w/ Black Oval Bezel	12V	Red	3	0.03 A
205703A	Amber Light Kit w/ Chromed Sleek Bezel	12V	Amber	3	0.03 A
205703R	Red Light Kit w/ Chromed Sleek Bezel	12V	Red	3	0.03 A
205713A	Amber Light Kit w/ Black Sleek Bezel	12V	Amber	3	0.03 A
205713R	Red Light Kit w/ Black Sleek Bezel	12V	Red	3	0.03 A
205503AM	Amber Lamp Only, Multi-voltage	12~24V	Amber	3	0.03 A
205503RM	Red Lamp Only, Multi-voltage	12~24V	Red	3	0.03 A
205503CM	White Lamp Only, Multi-voltage	12~24V	White	3	0.03 A
205603AM	Amber Light Kit w/ Chromed Oval Bezel, Multi-voltage	12~24V	Amber	3	0.03 A
205603RM	Red Light Kit w/ Chromed Oval Bezel, Multi-voltage	12~24V	Red	3	0.03 A
205603CM	White Light Kit w/ Chromed Oval Bezel, Multi-voltage	12~24V	White	3	0.03 A
205613AM	Amber Light Kit w/ Black Oval Bezel, Multi-voltage	12~24V	Amber	3	0.03 A
205613RM	Red Light Kit w/ Black Oval Bezel, Multi-voltage	12~24V	Red	3	0.03 A
205613CM	White Light Kit w/ Black Oval Bezel, Multi-voltage	12~24V	White	3	0.03 A
205703AM	Amber Light Kit w/Chromed Sleek Bezel, Multi-voltage	12~24V	Amber	3	0.03 A
205703RM	Red Light Kit w/ Chromed Sleek Bezel, Multi-voltage	12~24V	Red	3	0.03 A
205703CM	White Light Kit w/ Chromed Sleek Bezel, Multi-voltage	12~24V	White	3	0.03 A
205713AM	Amber Light Kit w/ Black Sleek Bezel, Multi-voltage	12~24V	Amber	3	0.03 A
205713RM	Red Light Kit w/ Black Sleek Bezel, Multi-voltage	12~24V	Red	3	0.03 A
205713CM	White Light kit w/ Black Sleek Bezel, Multi-voltage	12~24V	White	3	0.03 A



New!

3/4" Eagle Eye LED Light 3/4" (19mm) LED 鹰眼灯

- (1) of 1 watt high power LED, super bright
- Compact size, easy for installation by drilling a 3/4" (19mm) cut-out hole and pushing in. Ideal as a license plate light, courtesy light or auxiliary lights
- Frosted PC lens; engineered lens optics uniformly distributes the light from LED at a wide viewing angle
- Housing made of aluminum alloy as an excellent heat sink, black anodized
- 304 stainless steel ring, available in highly polished or black finish
- Two 6"(15cm) separate lead and ground wires, stripped ends
- Circuit board completely sealed in the aluminum housing by epoxy to resist water, corrosion and vibration, IP68 rated.
- Rated for 12V, tested to 13.8V.

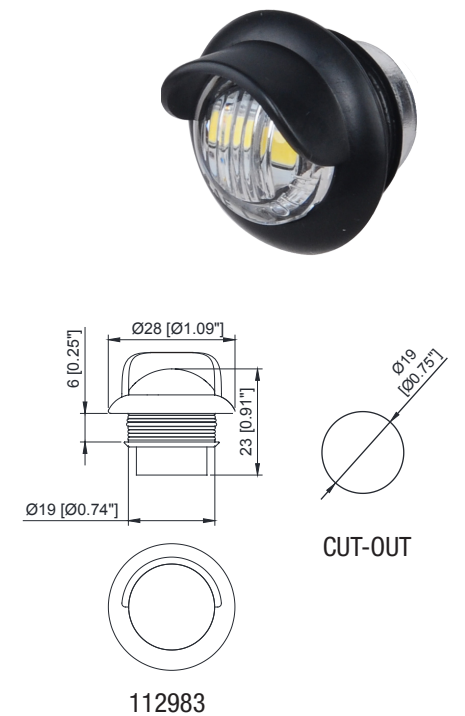
Part No.	Finish	Input Voltage	Lighting Color	LED Count	LED Type	Luminous	Current Draw at 13.8V
137001W	Black Ring & Black Housing	12 V	Natural White	1	SMD	65 lm	0.1 A
137001B	Black Ring & Black Housing	12 V	Blue	1	SMD	65 lm	0.1 A
137201W	SS Ring & Black Housing	12 V	Natural White	1	SMD	65 lm	0.1 A
137201B	SS Ring & Black Housing	12 V	Blue	1	SMD	65 lm	0.1 A



3/4" Mini Round LED License Plate Light with Hooded Grommet 3/4" 圆型 LED 迷你牌照灯, 胶圈带帽檐

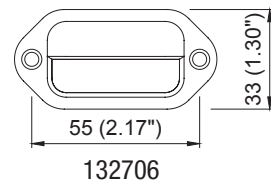
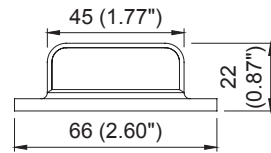
- Compact size LED License Plate Light with hooded grommet to block off light from shining upwards; ideal for trailers, trucks and RVs
- Clear PC lens and housing
- Grommet mount
- (3) super bright SMD LEDs, long life span up to 50,000 hours
- Circuit board completely sealed by epoxy on the backside of the light housing to ensure its water proof
- Meets DOT FMVSS 108/SAE requirements
- Rated for 12V, tested to 13.8V
- Also available in 24V by special order only

Part No.	Input Voltage	Lighting Color	LED Count	LED Type	Current Draw at 13.8V
112983C	12 V	Cool White	3	SMD2835	0.05 A



LED LICENSE PLATE LIGHTS

Mini LED License Plate Light LED 迷你牌照灯



- Innovative and retro-fit Mini LED License Plate Light, same appearance and mount hole centers as the traditional incandescent light, ideal for both retro-fit and new vehicles
- Clear PC lens, ABS housing available in Black or Chrome Plated finishes
- Surface mount
- 6 LEDs of super bright SMD3528 type, long life span up to 100,000 hours
- Circuit board completely sealed by epoxy to ensure its water proof feature
- Meets DOT FMVSS 108/SAE requirements, Lens marking: L
- Rated for 12V, tested to 13.8V
- Also available in 24V version by special order only

Part No.	Finish	Input Voltage	LED Count	LED Type	Lighting Color	Running Current (mA) at 13.8V
132706B	Black	12V	6	SMD	White	40 mA
132706C	Chrome Plated	12V	6	SMD	White	40 mA

LED License Plate Light, Ear Mount LED 牌照灯 (表面安装)



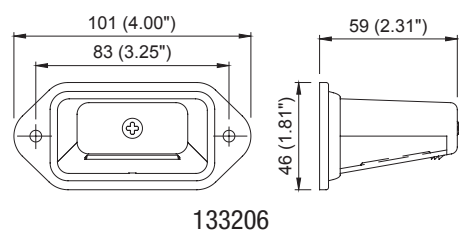
133206C



133206B



133606



- Ear mount LED license Plate Light series, ABS lamp housing available in black or chromed lamp housing
- Stamped 304SS mounting base for 133606 series with self-grounding feature
- The 6 SMD LED lamp features weather proof and anti-vibration by completely sealing the circuit board with epoxy
- Meets DOT FMVSS 108/SAE requirements, lens marking: L
- Rated for 12V, tested to 13.8V
- Also available in multi-voltage 10~30V operating range, or 24V by special order only

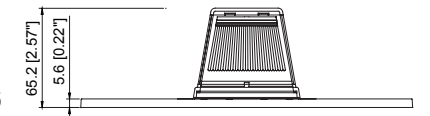
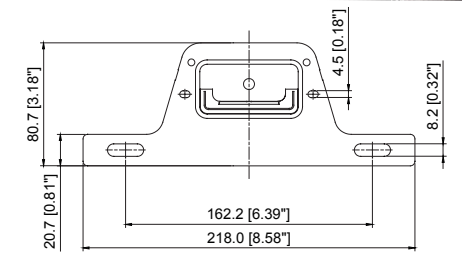
Part No.	Description	Input Voltage	LED Count	LED Type	Lighting Color	Current Draw at 13.8V
133206B	Black Housing	12V	6	SMD	White	0.04 A
133206C	Chromed Housing	12V	6	SMD	White	0.04 A
133206BM	Black Housing Multi-volt	12~24V	6	SMD	White	0.04 A
133206CM	Chromed Housing Multi-volt	12~24V	6	SMD	White	0.04 A
133606B	Black Lamp Housing & SS Self Ground Base	12V	6	SMD	White	0.04 A
133606C	Chromed Lamp Housing & SS Self Ground Base	12V	6	SMD	White	0.04 A

LED LICENSE PLATE LIGHTS

LED License Plate Light with Bracket, Black Plastic or Steel LED 牌照灯带黑色塑料或金属安装支架

- LED License Plate Light with mounting bracket; bracket available in both Black Plastic and Steel
- Plastic bracket made of reinforced PP material, stiff and durable; Steel bracket stamped and black powder coated
- The lamp of 6 SMD LEDs features weather proof and anti-vibration by completely sealing the circuit board with epoxy
- ABS lamp housing available in Black or Chromed finish
- Meets DOT FMVSS 108/SAE requirements, lens marking: L
- Rated for 12V, tested to 13.8V
- Also available in multi-voltage 10~30V operating range, or 24V by special order only

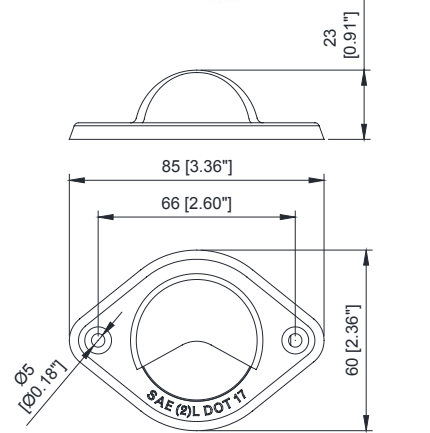
Part No.	Description	Input Voltage	LED Count	LED Type	Lighting Color	Current Draw at 13.8V
135006B	Plastic Bracket & Black Lamp Housing	12 V	6	SMD	White	0.04 A
135006C	Plastic Bracket & Chromed Lamp Housing	12 V	6	SMD	White	0.04 A
135106B	Steel Bracket & Black Lamp Housing	12 V	6	SMD	White	0.04 A
135106C	Steel Bracket & Chromed Lamp Housing	12 V	6	SMD	White	0.04 A



Surface Mount LED License Plate Light Stainless LED 金属牌照灯

- (3) SMD LED, super bright. Ideal as a license plate light, courtesy light or auxiliary light
- Stamped 304 stainless steel housing, highly polished finish
- Surface mount. Available in self-grounded version or (2) direct wires version
- Frosted PC lens and housing welded together to ensure a permanent and weather proof seal
- Meets DOT FMVSS 108/SAE requirements, lens marking: L
- Rated for 12V, tested to 13.8V.
- Also available in 24V or 10-30V multi-voltage versions by special order only

Part No.	Finish	Grounded	Input Voltage	Lighting Color	LED Count	LED Type	Current Draw at 13.8V
138003S	Polished 304SS	Self-grounded	12 V	White	3	SMD	0.03 A
138103S	Polished 304SS	Direct wires	12 V	White	3	SMD	0.03 A



4" Round LED, Back-up Light 4" LED 倒车灯

- Optional 7 LEDs, 12 LEDs, 10 LEDs or 18 LEDs versions; super bright SMD LEDs
- PVC grommet mounting; also available in flange mount version by special order
- Engineered lens optics
- PC lens and housing welded together to ensure a permanent and water proof seal
- Right angle 3-prong plug assembly
- 104112C/104510C/104218C Meets DOT FMVSS 108/SAE requirements
- Rated for 12V, tested to 13.8V
- Also available in multi-voltage 10~30V operating range or 24V by special order

Part No.	Description	Input Voltage	LED Type	LED Count	Lighting Color	Current Draw (mA) at 13.8V
104207C	Grommet Kit	12 V	SMD	7	White	0.15 A
104112C	Grommet Kit	12 V	SMD	12	White	0.20 A
104510C	Grommet Kit	12 V	SMD	10	White	0.13 A
104218C	Grommet Kit	12 V	SMD	18	White	0.30 A
104207CM	Grommet Kit	12~24V	SMD	7	White	0.15 A
104112CM	Grommet Kit	12~24V	SMD	12	White	0.20 A
104510CM	Grommet Kit	12~24V	SMD	10	White	0.13 A
104218CM	Grommet Kit	12~24V	SMD	18	White	0.30 A
104200G	Grommet only for 4" Round Light					
906403P	Right Angle 3 Prong Plug for 4" Round Light					



104207C



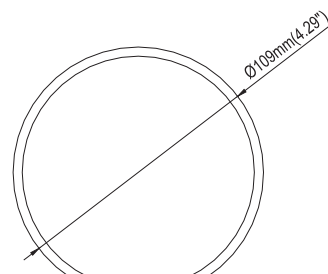
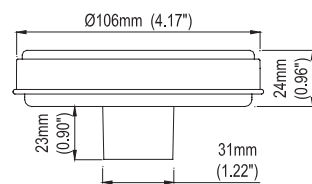
104112C



104510C



104218C



104207/104212
104218/104510

Back-up Light, 6" Oval LED 6" 椭圆 LED 倒车灯

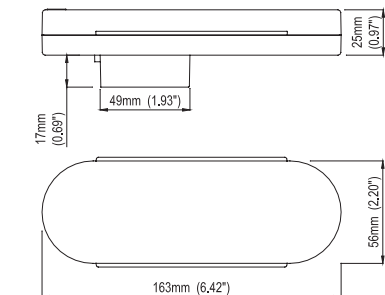
- Choice of 10 SMD LEDs, or 36 SMD LEDs
- Engineered lens optics
- PC lens and housing welded together to ensure a permanent and water proof seal
- LED circuit board coated with conformal coating for excellent moisture and environmental protection
- Right angle 3-prong plug assembly, PVC grommet mounting; also available in flange mount version by special order
- Meets DOT FMVSS 108/SAE requirements
- Rated for 12V, tested to 13.8V
- Also available in multi-voltage 10~30V operating range or 24V by special order

Part No.	Description	Input Voltage	LED Type	LED Count	Lighting Color	Current Draw (mA) at 13.8V
106110C	Grommet Kit	12 V	SMD	10	Clear	180mA
106236C	Grommet Kit	12 V	SMD	36	Clear	240mA
106110CM	Kit Multi-voltage	12~24V	SMD	10	Clear	180mA
106236CM	Kit Multi-voltage	12~24V	SMD	36	Clear	240mA
106200G	Grommet only for 6" Oval Light					
906403P	Right Angle 3 Prong Plug for 6" Oval Light					



106110C

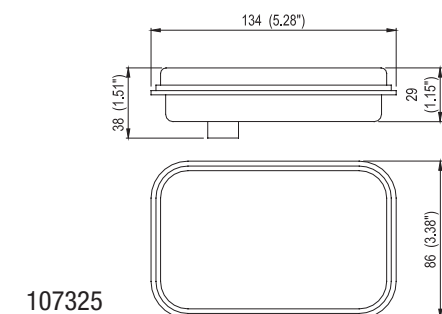
106236C



Rectangular LED Back-Up Light LED 长方形倒车灯

- 25 SMD LEDs, PC lens and housing, grommet mount
- Meets DOT FMVSS 108/SAE and ECE requirements (E-MARK certified)
- Rated for 12V, tested to 13.8V
- Also available in multi-voltage 10~30V operating range, or 24V input by special order

Part No.	Description	Input Voltage	LED Type	LED Count	Lighting Color	Current Draw (A) at 13.8V
107325C	Grommet Kit	12 V	SMD	25	Clear	0.18 A
107325CM	Kit, Multi-voltage	10~30V	SMD	25	Clear	0.18 A



107325

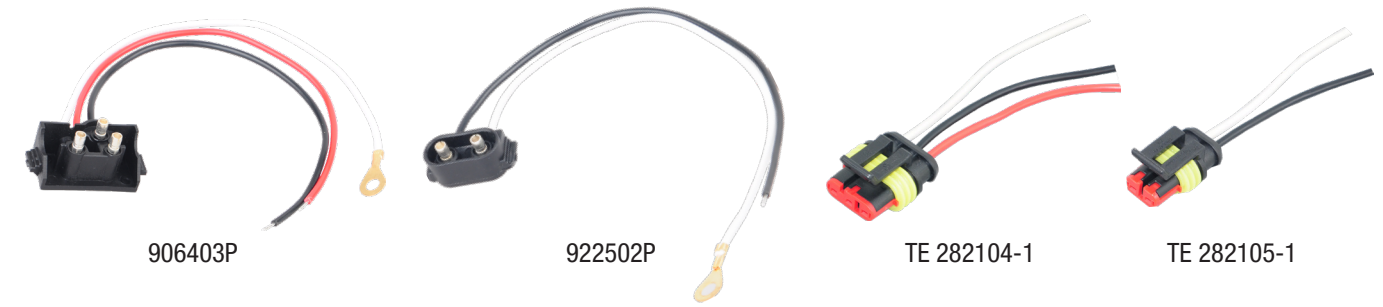
ACCESSORIES

Part No.	Description	Material	Finish	Weight
10200G	2" Grommet, Fits all 2" M/C Lamps	PVC	Black	24 g
102500G	2.5" Grommet, Fits all 2.5" M/C Lamps	PVC	Black	50 g
104200G	4" Grommet, Fits all 4" STT Lamps	PVC	Black	70 g
106200G	6" Grommet, Fits all 6" Oval STT Lamps	PVC	Black	60 g
107400G	Rectangular Grommet, Fits All 107412 and 107415 Series Lamps	PVC	Black	95 g



ACCESSORIES

Part No.	Description
906403P	Standard 3-Prong Plug, Fits all 4" Round STT, 6" Oval STT and 107412/107415 Series Lamps
922502P	Standard 2-Prong Plug, Fits all 2" & 2-1/2" M/C Lamps
TE 282104-1	3-Pin AMP (Tyco) Type Super Seal Male Plug, Fits 4" Round, 6" Oval and Mid Turn Lamps with matching female connector
TE 282105-1	2-Pin AMP (Tyco) Type Super Seal Male Plug, Fits 2" and 2-1/2" M/C Lamps with matching female connector



Part No.	Description	Material	Finish
102000BKT	Side Mounted Bracket, Fits All 2" Grommet Mount M/C Lights	Steel	Black Coated
102500BKT	Side Mounted Bracket, Fits All 2-1/2" Grommet Mount M/C Lights	Steel	Black Coated
112900BKT	Side Mounted Bracket, Fits All 3/4" M/C Lights	Steel	Black Coated



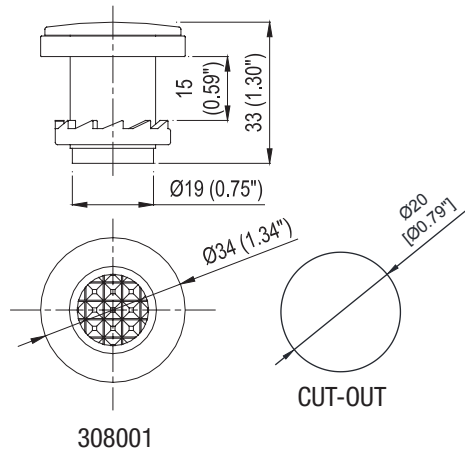
Part No.	Description
925000CCR	Constant Current Regulator for 10-30V Input to 12V Output, Specific Running Current to be Ordered Specially



LED Livewell Light, 0.8" Diameter LED 独眼龙灯



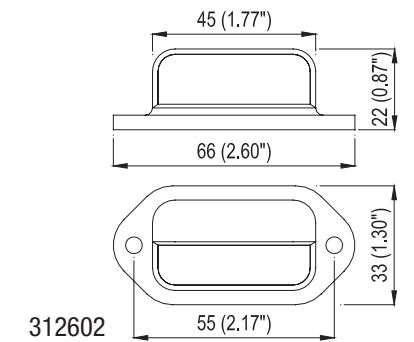
- Clear PC (polycarbonate) lens and housing, engineered lens optics helps to uniformly distribute light from LED at a wide viewing angle, 0.8" (20mm) cut-out thru wall mounting
- This submersible light is great for livewells, lockers and compartments
- Circuit board completely sealed in epoxy to resist water, corrosion and vibration
- Low current draw, super long life span up to 100,000hours
- Rated for 12V, tested to 13.8V
- Also available in 24V version by special order only



Part No.	Lighting Color	Input Voltage	LED Count	LED Type	Current Draw (mA) at 13.8V	Typ. Wave Length or Color Temp.
308001W	Cool White	12 V	1	SMD	20 mA	7,000~8,000K
308001R	Red	12 V	1	5 mm	20 mA	625nm
308001A	Amber	12 V	1	5 mm	20 mA	595nm
308001G	Green	12 V	1	5 mm	20 mA	525nm
308001B	Blue	12 V	1	5 mm	20 mA	470nm

LED Companion Way Light, 2.6"x1.3" LED 迷你走道灯

- Opal PC lens, ABS housing available in finishes of Black, White or Chrome Plated
- Circuit board completely sealed in epoxy to resist water, corrosion and vibration
- Low current draw, super long life span up to 100,000 hours
- Rated for 12V, tested to 13.8V
- Also available in 24V by special order only

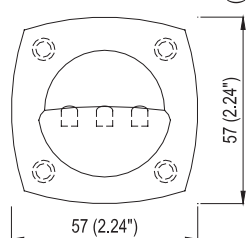
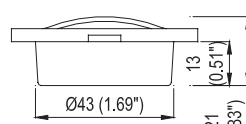


Black Finish Part No.	White Finish Part No.	Chromed Finish Part No.	Lighting Color	Input Voltage	LED Count	LED Type	Current Draw (mA) at 13.8V
312602W	312612W	312622W	Cool White	12 V	2	5 mm	20 mA
312602R	312612R	312622R	Red	12 V	2	5 mm	20 mA
312602A	312612A	312622A	Amber	12 V	2	5 mm	20 mA
312602G	312612G	312622G	Green	12 V	2	5 mm	20 mA
312602B	312612B	312622B	Blue	12 V	2	5 mm	20 mA



LED Square Courtesy Light, 2.2"x2.2" 2.2"x2.2" LED 走道灯

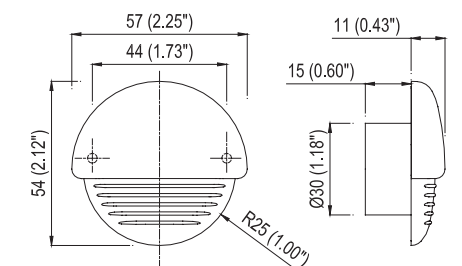
- Frosted PC lens, ABS top plate available in finishes of Black, White or Chrome Plated, white plastic housing
- Circuit board completely sealed in epoxy to resist water, corrosion and vibration
- Low current draw, super long life span up to 100,000 hours
- Rated for 12V, tested to 13.8V
- Also available in 24V by special order only



Black Finish Part No.	White Finish Part No.	Chromed Finish Part No.	Lighting Color	Input Voltage	LED Count	LED Type	Current Draw (mA) at 13.8V
312203W	312213W	312223W	Cool White	12 V	3	SMD3528	20 mA
312203R	312213R	312223R	Red	12 V	3	SMD3528	20 mA
312203A	312213A	312223A	Amber	12 V	3	SMD3528	20 mA
312203G	312213G	312223G	Green	12 V	3	SMD3528	20 mA
312203B	312213B	312223B	Blue	12 V	3	SMD3528	20 mA

2.25" LED Half Round Courtesy Light 2.25" LED 半圆走道灯

- Clear PC lens, plastic cover in Chrome Plated, Black or White finishes. The engineered lens optics directs light downward to avoid the light from shining into the eyes
- Circuit board completely sealed in epoxy to resist water, corrosion and vibration
- Lighting color available in Warm White and Blue colors; other colors in Cool White, Red, Amber and Green by special order
- Super long life span up to 100,000hours
- Rated for 12V, tested to 13.8V
- Also available in multi-voltage 10~30V operating range, or 24V by special order



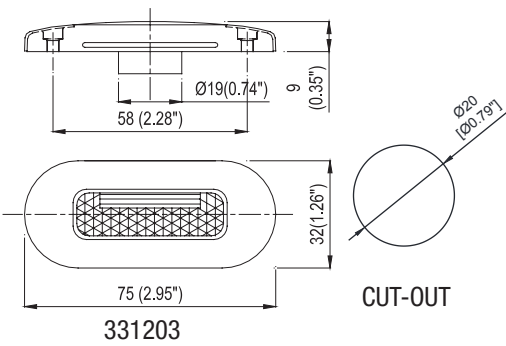
Part No.	Finish	Lighting Color	Input Voltage	LED Count	LED Type	Current Draw (mA) at 13.8V
322503W	Chrome Plated	Warm White	12V	3	SMD	20 mA
322503B	Chrome Plated	Blue	12V	3	SMD	20 mA
322513W	Black	Warm White	12V	3	SMD	20 mA
322513B	Black	Blue	12V	3	SMD	20 mA
322523W	White	Warm White	12V	3	SMD	20 mA
322523B	White	Blue	12V	3	SMD	20 mA

LED Oblong Courtesy Light, 3"x1-1/4" LED 腰形走道灯



- Clear PC lens, stainless steel bezel in highly polished, satin and TiN plated golden finishes. The engineered lens optics directs light downward to avoid the light from shining into the eyes
- Circuit board completely sealed in epoxy to resist water, corrosion and vibration
- Available in Red, Amber and Green colors by special order
- Super long life span up to 100,000hours
- Rated for 12V, tested to 13.8V
- Also available in multi-voltage 10~30V operating range, or 24V by special order

Part No.	Bezel Finish	Lighting Color	Input Voltage	LED Count	LED Type	Current Draw (mA) at 13.8V
331203W	Polished	Natural White	12V	3	SMD	20 mA
331203B	Polished	Blue	12V	3	SMD	20 mA
331203WM	Polished	Natural White	12~24V	3	SMD	20 mA
331203BM	Polished	Blue	12~24V	3	SMD	20 mA
331213W	Black	Natural White	12V	3	SMD	20 mA
331213B	Black	Blue	12V	3	SMD	20 mA
331213WM	Black	Natural White	12~24V	3	SMD	20 mA
331213BM	Black	Blue	12~24V	3	SMD	20 mA



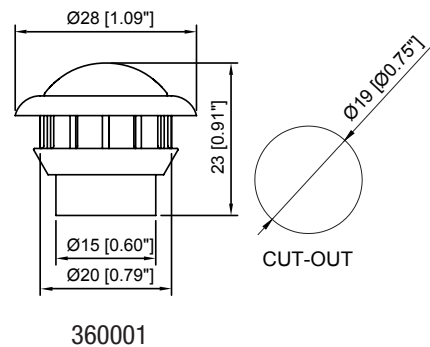
New!

3/4" Mini Round LED Courtesy Light with SS Ring 3/4" (19mm) LED 小圆踏步灯



- Clear PC lens, engineered lens optics evenly distributes the light from LED at a wide viewing angle
- 304 stainless steel ring, highly polished finish
- Compact size, easy for installation by drilling a 3/4" (19mm) cut-out hole and pushing in, ideal as a courtesy anywhere and a utility for livewells, lockers and compartments
- Circuit board completely sealed in epoxy to resist water, corrosion and vibration IP68 rated
- (1) SMD2835 LED, low current draw
- Rated for 12V, tested to 13.8V. Also available in 24V version by special order only

Part No.	Lighting Color	Input Voltage	LED Count	LED Type	CCT	Luminous Flux	Current Draw (A) at 13.8V
360001W	Neutral White	12 V	1	SMD	~ 4,200 K	10 lm	0.02 A
360001B	Blue	12 V	1	SMD			0.02 A
360001G	Green	12 V	1	SMD			0.02 A
360001R	Red	12 V	1	SMD			0.02 A

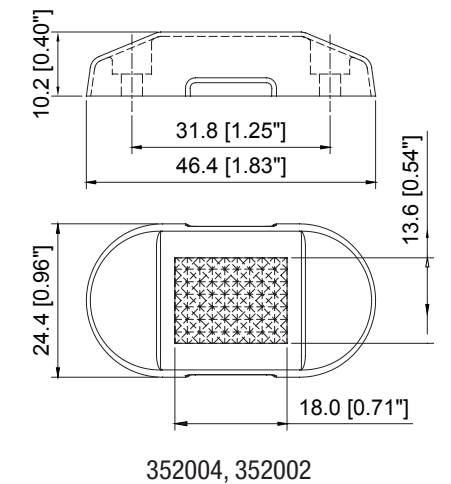


360001

1.8"x1" Surface Mount LED Accent Light 1.8"x1" 表面安装走道照明灯

- Surface mount, ideal as a courtesy, accent or any auxiliary light
- 2 of SMD5050 LEDs or 4 of SMD3528
- Clear PC lens in diffused lens pattern for flood lighting
- Snap-On Bezel, finishes available in highly polished stainless steel, black powder coated and white powder coated
- Circuit board completely sealed in epoxy to resist water, IP65 water proof rating
- Fits #4 fasteners for mounting, fasteners included
- Rated for 12V, tested to 13.8V

Part No.	Finish	Lighting Color	Input Voltage	Typical CCT	LED Count	Luminous Flux	Current Draw (mA) at 13.8V
352002BB	Black	Blue	12 V		2		0.04 A
352002BR	Black	Red	12 V		2		0.04 A
352002BW	Black	White	12 V	4,200K	2	30 lm	0.04 A
352002SB	SS Polished	Blue	12 V		2		0.04 A
352002SR	SS Polished	Red	12 V		2		0.04 A
352002SW	SS Polished	White	12 V	4,200K	2	30 lm	0.04 A
352002WB	White	Blue	12 V		2		0.04 A
352002WR	White	Red	12 V		2		0.04 A
352002WW	White	White	12 V	4,200K	2	30 lm	0.04 A
352004BB	Black	Blue	12 V		4		0.04 A
352004BW	Black	White	12 V	4,200K	4	30 lm	0.04 A
352004SB	SS Polished	Blue	12 V		4		0.04 A
352004SW	SS Polished	White	12 V	4,200K	4	30 lm	0.04 A
352004WB	White	Blue	12 V		4		0.04 A
352004WW	White	White	12 V	4,200K	4	30 lm	0.04 A



352004, 352002

3"/ 4" LED Puck Light 3"/ 4" LED 不锈钢圆灯



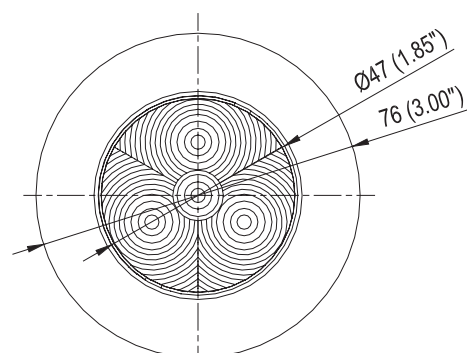
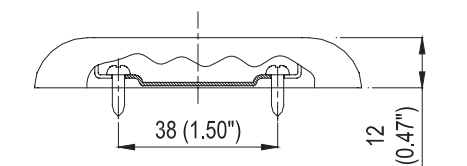
430204

- Highly polished 304 stainless steel housing; surface mount with mounting screws hidden; ideal for interior use in boat, RV, caravan, truck/trailer etc. as ceiling light, courtesy light and other applications
- Clear PC lens; engineered lens optics distributes a uniform and cozy light beam illuminating from LEDs, beam angle=120°
- SMD LEDs of 0.5W superior grade, long life span up to 50,000 hours
- Lighting color available in Natural White (CCT=4,000~4,500K), Blue or Red; also available in dual color by special order
- Circuit board conformal coated to resist moisture and corrosion
- Rated for 12V, tested to 13.8V
- Also available in multi-voltage 10~30V operating range, or 24V version by special order

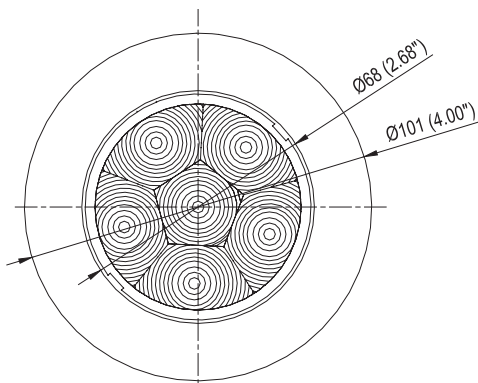
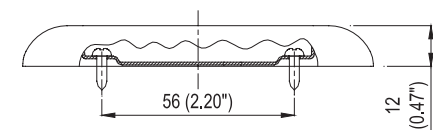


440206

Part No.	Finish	Input Voltage	Typical CCT	LED Count	LED Type	Current Draw (mA) at 13.8V	Lumen Output
430204S	3", Natural White Light Color	12 V	4,200K	4	SMD/0.5W	190 mA	160 lm
430204SB	3", Blue Light Color	12 V	Blue	4	SMD/0.5W	190 mA	20 lm
430204SR	3", Red Light Color	12 V	Red	4	SMD/0.5W	115 mA	30 lm
430204SM	3", Natural White Multi-volt	10~30V	4,200K	4	SMD/0.5W	120 mA	130 lm
440206S	4", Natural White Light Color	12 V	4,200K	6	SMD/0.5W	200 mA	240 lm
440206SB	4", Blue Light Color	12 V	Blue	6	SMD/0.5W	210 mA	20 lm
440206SR	4", Red Light Color	12 V	Red	6	SMD/0.5W	230 mA	35 lm
440206SM	4", Natural White Multi-volt	10~30V	4,200K	6	SMD/0.5W	140 mA	275 lm



430204



440206

4" LED Puck Light with Switch 4" LED 不锈钢圆灯带开关

- Highly polished 304 stainless steel housing; surface mount with mounting screws hidden; ideal for interior use in boat, RV, caravan, truck/trailer etc. as ceiling light, courtesy light and other applications
- Clear PC lens; engineered lens optics distributes a uniform and cozy light beam illuminating from LEDs, beam angle=120°
- SMD LEDs of 0.5W superior grade, long life span up to 50,000 hours
- Lighting color available in Natural White (CCT=4,000~4,500K), Blue or Red; also available in dual color by special order
- Circuit board conformal coated to resist moisture and corrosion
- Rated for 12V, tested to 13.8V
- Also available in multi-voltage 10~30V operating range, or 24V version by special order

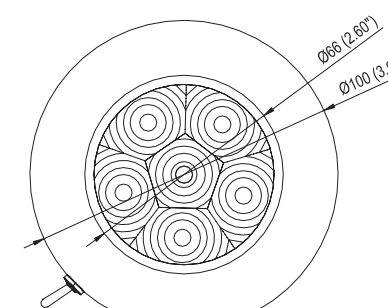
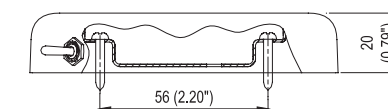


440806

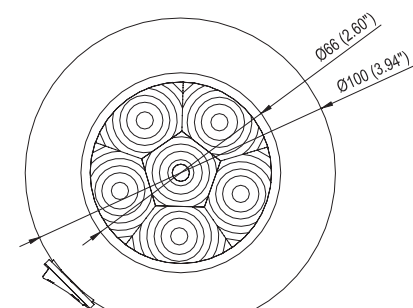
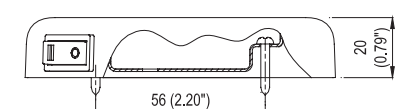
Part No.	Finish	Switch Type	Input Voltage	Typical CCT	LED Count	LED Type	Current Draw (mA) at 13.8V	Luminous Flux
440806S	Highly Polished SS	Toggle	12 V	4,200K	6	SMD/0.5W	200 mA	240 lm
440806T	TiN Plated Golden	Toggle	12 V	4,200K	6	SMD/0.5W	200 mA	240 lm
440806SM	Polished SS Multi-voltage	Toggle	12~24 V	4,200K	6	SMD/0.5W	200 mA	240 lm
440806TM	TiN Plated Multi-voltage	Toggle	12~24 V	4,200K	6	SMD/0.5W	200 mA	240 lm
440906S	Highly Polished SS	Rocker	12 V	4,200K	6	SMD/0.5W	200 mA	240 lm
440906T	TiN Plated Golden	Rocker	12 V	4,200K	6	SMD/0.5W	200 mA	240 lm
440906SM	Polished SS Multi-voltage	Rocker	12~24 V	4,200K	6	SMD/0.5W	200 mA	240 lm
440906TM	TiN Plated Multi-voltage	Rocker	12~24 V	4,200K	6	SMD/0.5W	200 mA	240 lm



440906



440806

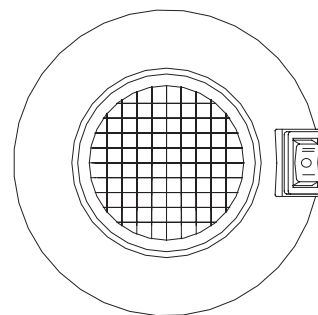
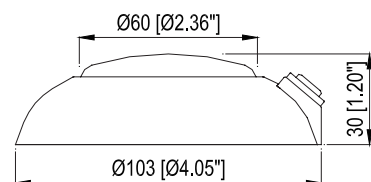


440906

4" LED Surface Mount Light 4" LED 塑料圆灯



441018,442015



441018,442015

- Newly designed LED Surface Mount Accent Light; ideal for interior use in boats, RV and other applications
- Clear PC Lens featured with StarView® lens pattern is uniquely designed to vastly distribute the lighting illuminated from white LEDs to a wide beam angle of no less than 120°
- White plastic housing added with UV inhibitor to resist color fading, rocker switch, housing also available in Black and Silver colors by special order
- Circuit board completely sealed in epoxy to resist water, corrosion and vibration
- Lighting color by LEDs available in single color Warm White or Cool White, as well as Nav. version (red night vision) of White/Red LED configuration
- Super flux (P4) type or SMD LEDs, super bright, long life span up to 100,000hours
- Rated for 12V, tested to 13.8V
- Also available in 24V version by special order only

Part No.	Finish	Input Voltage	Lighting Color	LED Count	LED Type	CCT.	Luminous Flux	Current Draw (A) at 13.8V
441018W	White	12V	Cool White	18	SMD	~7,000K	108 lm	0.12 A
441018B	Black	12V	Cool White	18	SMD	~7,000K	108 lm	0.12 A
441018WN	White	12V	Neutral White	18	SMD	~4,200K	108 lm	0.12 A
441018BN	Black	12V	Neutral White	18	SMD	~4,200K	108 lm	0.12 A
441912W	White	12V	Cool White/Red	12W/9R	SMD	CW/Red	72/15 lm	0.08/0.06 A
441912B	Black	12V	Cool White/Red	12W/9R	SMD	CW/Red	72/15 lm	0.08/0.06 A
442015W	White	12V	Cool White	15	P4	~7,000K	90 lm	0.10 A
442015WN	White	12V	Neutral White	15	P4	~4,200K	90 lm	0.10 A
442609W	White	12V	Cool White/Red	9W/6R	P4	CW/Red	60/30 lm	0.06/0.10 A

4.5" LED Surface Mount Accent Light 4.5" LED 塑料圆灯



448024W



448024B

- New style LED Surface Mount Accent Light; ideal for interior use in Boat, RV and other applications
- Clear PC Lens featured with StarView® lens pattern is uniquely designed to vastly distribute the lighting illuminated from white LEDs to a wide beam angle of no less than 120°
- White plastic housing added with UV inhibitor to resist color fading, rocker switch, housing also available in Black and Silver colors
- Circuit board coated with conformal coating to resist moisture, corrosion and vibration
- Concealed fastening holes, install easily
- Lighting color by LEDs available in single color Natural White or Cool White, as well as Nav. version (red night vision) of White/Red LED configuration
- Color Temperature: Natural White=4,000~4,500K, Cool White=7,000~8,000K
- SMD LEDs or super flux (P4) type LEDs
- Rated for 12V, tested to 13.8V
- Also available in 24V by special order only

Part No.	Finish	Input Voltage	Lighting Color	LED Count	LED Type	CCT.	Luminous Flux	Current Draw (A) at 13.8V
448024W	White	12V	Cool White	24	P4	~7,000K	120 lm	0.16 A
448024B	Black	12V	Cool White	24	P4	~7,000K	120 lm	0.16 A
448024V	Silver	12V	Cool White	24	P4	~7,000K	120 lm	0.16 A
448124WN	White	12V	Natural White	24	SMD	~4,200K	120 lm	0.16 A
448124BN	Black	12V	Natural White	24	SMD	~4,200K	120 lm	0.16 A
448124VN	Silver	12V	Natural White	24	SMD	~4,200K	120 lm	0.16 A
448218W	White	12V	Cool White/Red	18W/9R	P4	CW/Red	90/45 lm	0.12/0.15 A
448218B	Black	12V	Cool White/Red	18W/9R	P4	CW/Red	90/45 lm	0.12/0.15 A
448218V	Silver	12V	Cool White/Red	18W/9R	P4	CW/Red	90/45 lm	0.12/0.15 A



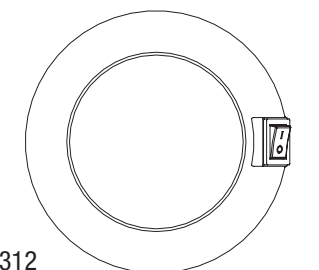
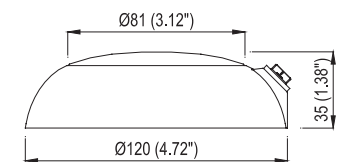
448312

4.5" LED Portable Utility Light, Battery Operated 4.5" LED 塑料圆灯电池驱动

- LED Portable Utility Light; same style as the 4.5" LED Surface Mount Accent Light, operated by 3 x AAA batteries; two pieces of strong magnet enclosed at the bottom help to hold the light firmly to any surfaces of steel material, convenient and ideal for various applications as a temporary lighting, wherever a light is needed
- Running time by 3 x AAA battery is no less than (≥) 10 hours

Part No.	Finish	Lighting Color	LED Count	LED Type	Luminous Flux
448312W	White	Cool White	12	P4	120lm
448312B	Black	Cool White	12	P4	120lm
448312V	Silver	Cool White	12	P4	120lm

Portable Utility Light, Battery Operated



448024 448312

5-1/2" LED Dome Light White Plastic, Low Profile 5.5" LED 塑料圆灯



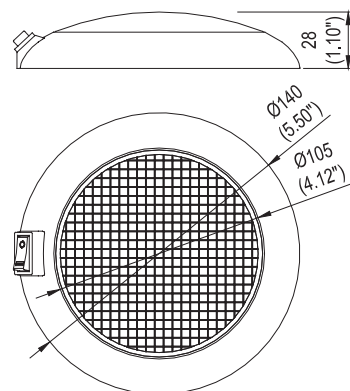
458030



459030

- Low profile stylish LED dome light; ideal for interior use in Boat, RV and other applications
- White plastic housing added with UV inhibitor to resist color fading, rocker switch; optional housing also available in Black or Silver color by special order
- Clear PC Lens featured with StarView® lens pattern is uniquely designed to vastly distribute the lighting illuminated from white LEDs to a wide beam angle of no less than 120°
- Concealed fastening holes, install easily
- Available in "No Switch" model
- Circuit board coated with conformal coating to resist moisture, corrosion and vibration
- Lighting color by LEDs available in single Natural Warm White, as well as Nav. version (red night vision) of White/Red LED configuration; optional Cool White color available by special order
- Color Temperature: Natural White=4,000~4,500K, Cool White=7,000~8,000K
- SMD LEDs or super flux (P4) type LEDs
- Rated for 12V, tested to 13.8V
- Also available in 24V by special order only

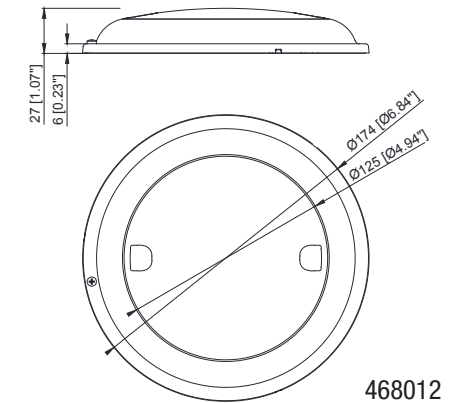
Part No.	Switch	Input Voltage	Lighting Color	LED Count	LED Type	CCT.	Luminous Flux	Current Draw (A) at 13.8V
458030W	w/Switch	12 V	Natural White	30	P4	~4,200K	150 lm	0.18 A
458130W	w/Switch	12 V	Natural White	30	SMD	~4,200K	180 lm	0.20 A
458221W	w/Switch	12 V	Natural White/Red	21W/9R	P4	NW/Red	105/45 lm	0.14/0.15 A
458321W	w/Switch	12 V	Natural White/Red	21W/9R	SMD	NW/Red	126/54 lm	0.14/0.15 A
459030W	w/o Switch	12 V	Natural White	30	P4	~4,200K	150 lm	0.18 A
459130W	w/o Switch	12 V	Natural White	30	SMD	~4,200K	180 lm	0.20 A
459221W	w/o Switch	12 V	Natural White/Red	21W/9R	P4	NW/Red	105/45 lm	0.14/0.15 A
459321W	w/o Switch	12 V	Natural White/Red	21W/9R	SMD	NW/Red	126/54 lm	0.14/0.15 A



458030/459030

7" LED Dome Light SS Low Profile, Sensor Touch Dimmable 7" LED 不锈钢圆灯带触摸感应调光

New!



468012

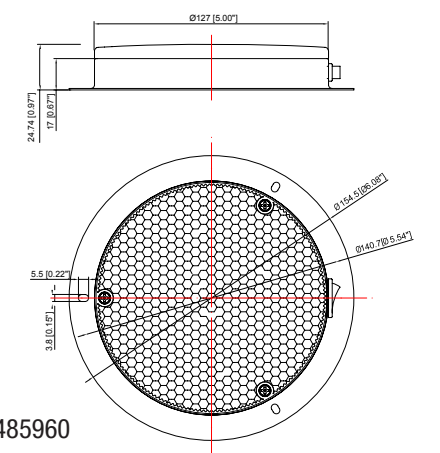
- Highly polished 304SS bezel, frosted and diffused plastic lens with aluminum heatsink on the back
- Low profile & surface mount with fasteners included
- SMD 2835 LEDs, available in single White Color and White/Red Nav. version (red night vision)
- Dimmable by sensor touch. Touch to turn on the light and keep touching for approx.5 seconds to adjust to the brightest. Two independent sensor touch switches to control white color or red (blue) color separately
- The light is completely sealed by epoxy to ensure its water proof feature, IP65 rated.
- Rated for multi-voltage 10-30V operating range

Part No.	Description	Input Voltage	Lighting Color	LED Count	CCT.	Luminous Flux (lm)	Current Draw (A) at 13.8V
468012SW	Touch Dimmable, Single White Color	10~30 V	Natural White	12	4,500K	330	0.55
468612SWB	Touch Dimmable, Combination Color White/Blue	10~30 V	N.W./Blue	12W/6B	4,500K Blue	330/26	0.55/0.23
468612SWR	Touch Dimmable, Combination Color White/Red	10~30 V	N.W./Red	12W/6R	4,500K Red	330/58	0.55/0.23
468812SW	Not Dimmable, Single White Color	10~30 V	Natural White	12	4,500K	330	0.55

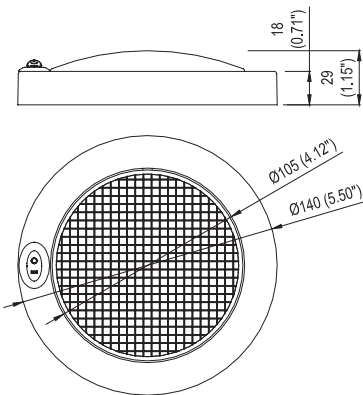
5-1/2" (140mm) LED Cargo Light 5" (140mm) LED 货车厢体照明灯

- Aluminum base, available in sand blasted + anodized finish or white powder coated finish
- Clear PC lens is specially designed to vastly distribute the lighting from LEDs to a wide beam angle of no less than 120°, ideal for interior use inside cargo truck or box trailer
- Lighting color by LEDs in neutral white color 4,000~4,500K
- SMD3528 LEDs, long life span up to 50,000hours
- Rated for 12V, tested to 13.8V
- Also available in 24V version by special order only

Part No.	Finish	Input Voltage	LED Count	CCT	Luminous Flux	Current Draw (A) at 13.8V
485560A	Sand Blast Anodized w/ Switch	12 V	60	4,200K	350 lm	0.4 A
485560W	White Powder Coated w/ Switch	12 V	60	4,200K	350 lm	0.4 A
485960A	Sand Blast Anodized w/o Switch	12 V	60	4,200K	350 lm	0.4 A
485960W	White Powder Coated w/o Switch	12 V	60	4,200K	350 lm	0.4 A



485960

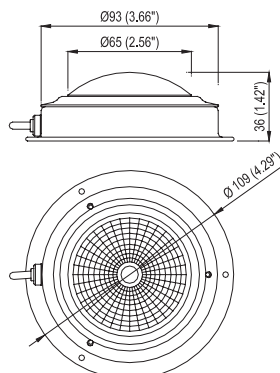


457030

5-1/2" LED Dome Light Saturn 5.5" LED 新款不锈钢圆灯

- New contemporary design, highly polished 304 stainless steel LED dome light, also available in finish of white powder coated aluminum
- Clear PC lens featured with StarView® lens pattern is uniquely designed to vastly distribute the lighting illuminated from white LEDs to a wide beam angle of no less than 120°
- Ideal for interior use in boats, RV and other applications
- Circuit board coated with conformal coating to resist moisture, corrosion and vibration
- Lighting color by LEDs available in single color Cool White or Warm White, as well as Nav. version (red night vision) of White/Red LED configuration;
- SMD LEDs or super flux (P4) type LEDs
- Rated for 12V, tested to 13.8V
- Also available in 24V version by special order

Part No.	Finish	Input Voltage	Lighting Color	LED Count	LED Type	CCT.	Luminous Flux	Current Draw (A) at 13.8V
457030S	Stainless	12 V	Natural White	30	P4	~4,200K	150 lm	0.18 A
457130S	Stainless	12 V	Natural White	30	SMD	~4,200K	180 lm	0.20 A
457218S	Stainless	12 V	Natural White/Red	21W/9R	P4	NW/Red	105/45 lm	0.14/0.15 A
457221S	Stainless	12 V	Natural White/Red	21W/9R	SMD	NW/Red	126/54 lm	0.14/0.15 A
457030W	White Alum	12 V	Natural White	30	P4	~4,200K	150 lm	0.18 A
457218W	White Alum	12 V	Natural White/Red	21W/9R	SMD	NW/Red	105/45 lm	0.14/0.15 A



445012

4-1/2" LED Dome Light 4.5" LED 不锈钢圆灯

- Highly polished 304 stainless steel LED dome light, also available in finishes of TiN (Titanium Nitrite) plated brass, or white powder coated aluminum. Clear PC lens is specially designed to vastly distribute the lighting illuminated from white LEDs to a wide beam angle of no less than 120°
- Circuit board coated with conformal coating to resist moisture, corrosion and vibration
- Lighting color by LEDs available in single color Warm White or Cool White
- Super bright 5mm LEDs, long life span up to 100,000hours
- Rated for 12V, tested to 13.8V
- Also available in 24V by special order only

Part No.	Finish	Input Voltage	Lighting Color	LED Count	LED Type	Current Draw (mA) at 13.8V	Luminous Flux
445012S	Stainless	12 V	Cool White	12	5 mm	80 mA	36 lm
445012T	TiN Brass	12 V	Cool White	12	5 mm	80 mA	36 lm
445012W	White Alum	12 V	Cool White	12	5 mm	80 mA	36 lm
445012SW	Stainless	12 V	Warm White	12	5 mm	80 mA	36 lm
445012TW	TiN Brass	12 V	Warm White	12	5 mm	80 mA	36 lm
445012WW	White Alum	12 V	Warm White	12	5 mm	80 mA	36 lm

5-1/2" & 7" LED Dome Light 5.5" / 7" LED 不锈钢圆灯

- Highly polished 304 stainless steel LED dome light, also available in finishes of TiN (Titanium Nitrite) plated brass, or white powder coated aluminum. Clear PC lens is specially designed to vastly distribute the lighting illuminated from white LEDs to a wide beam angle of no less than 120°
- Circuit board coated with conformal coating to resist moisture, corrosion and vibration
- Lighting color by LEDs available in single color Warm White or Cool White, as well as Nav. version (red night vision) of White/Red LED configuration
- Super bright 5mm or SMD3528 LEDs, long life span up to 50,000hours
- Rated for 12V, tested to 13.8V, also available in 24V version by special order

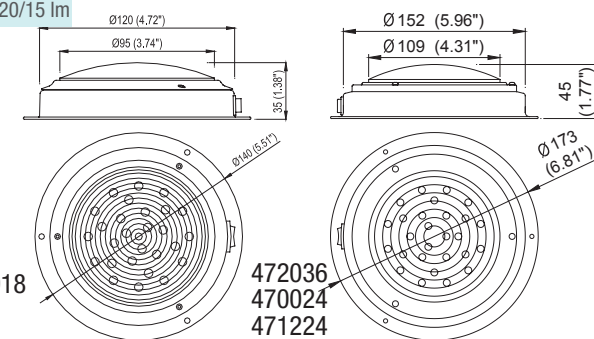
Part No.	Size (Base O.D.)	Finish	Input Voltage	Lighting Color	LED Count	LED Type	Current Draw (mA) at 13.8V	Luminous Flux
450018S	140mm (5-1/2")	Stainless	12 V	Cool White	18	5 mm	120 mA	54 lm
450018SW	140mm (5-1/2")	Stainless	12 V	Warm White	18	5 mm	120 mA	54 lm
450918S	140mm (5-1/2")	Stainless	12 V	Cool White/Red	18W/9R	5 mm	120/60 mA	54/15 lm
450018T	140mm (5-1/2")	TiN Brass	12 V	Cool White	18	5 mm	120 mA	54 lm
450018TW	140mm (5-1/2")	TiN Brass	12 V	Warm White	18	5 mm	120 mA	54 lm
450918T	140mm (5-1/2")	TiN Brass	12 V	Cool White/Red	18W/9R	5 mm	120/60 mA	54/15 lm
450018W	140mm (5-1/2")	White Alum	12 V	Cool White	18	5 mm	120 mA	54 lm
450018WW	140mm (5-1/2")	White Alum	12 V	Warm White	18	5 mm	120 mA	54 lm
450918W	140mm (5-1/2")	White Alum	12 V	Cool White/Red	18W/9R	5 mm	120/60 mA	54/15 lm
452036S	140mm (5-1/2")	Stainless	12 V	Neutral White	36	SMD	220 mA	180 lm
452036W	140mm (5-1/2")	White Alum	12 V	Neutral White	36	SMD	220 mA	180 lm
470024S	178mm (7")	Stainless	12 V	Cool White	24	5 mm	160 mA	72 lm
470024SW	178mm (7")	Stainless	12 V	Warm White	24	5 mm	160 mA	72 lm
471224S	178mm (7")	Stainless	12 V	Cool White/Red	24W/12R	5 mm	160/80 mA	72/20 lm
470024T	178mm (7")	TiN Brass	12 V	Cool White	24	5 mm	160 mA	72 lm
470024TW	178mm (7")	TiN Brass	12 V	Warm White	24	5 mm	160 mA	72 lm
471224T	178mm (7")	TiN Brass	12 V	Cool White/Red	24W/12R	5 mm	160/80 mA	72/20 lm
470024W	178mm (7")	White Alum	12 V	Cool White	24	5 mm	160 mA	72 lm
470024WW	178mm (7")	White Alum	12 V	Warm White	24	5 mm	160 mA	72 lm
471224W	178mm (7")	White Alum	12 V	Cool White/Red	24W/12R	5 mm	160/80 mA	72/20 lm
472036S	178mm (7")	Stainless	12 V	Neutral White	36	SMD	220 mA	180 lm
472036W	178mm (7")	White Alum	12 V	Neutral White	36	SMD	220 mA	180 lm
472924S	178mm (7")	Stainless	12 V	Neutral White/Red	24W/12R	SMD	150/60 mA	120/15 lm
472924W	178mm (7")	White Alum	12 V	Neutral White/Red	24W/12R	SMD	150/60 mA	120/15 lm



450018/470024



452036/472036



450018,450918
452036

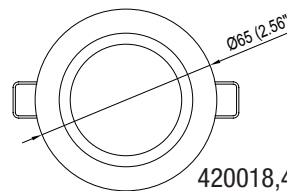
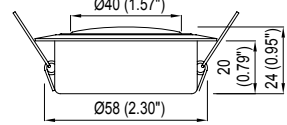
472036
470024
471224



420018



420309,420512



420018,420309,420512

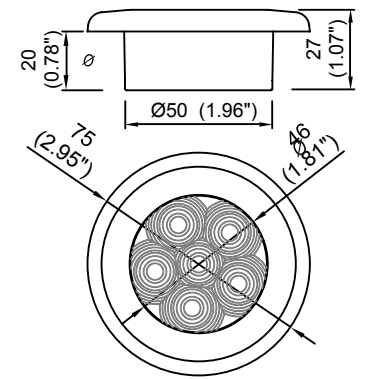
2" LED Down Light, Low Profile 2" LED 天花灯

- Low Profile LED Down light is particularly suitable for applications where the depth of cut-out hole is limited, ideal for cabin and compartment
- Highly polished 304 stainless steel housing with frosted plastic lens or light diffusion plastic lens. Lens is designed to vastly distribute the light illuminated from white LEDs at a viewing angle no less than 120°
- New introduction of SMD2835 or SMD5050 LEDs, much brighter! Lighting color available in Warm White, Neutral White and Cool White
- Circuit board is conformal coated to resist moisture, corrosion and vibration
- Rated for 12V, tested to 13.8V
- Also available in multi-voltage 10~30V operating range, or 24V by special order

Part No.	Finish	Input Voltage	Lighting Color	LED Count	LED Type	CCT	Luminous Flux	Current Draw (A) at 13.8V
420018S	Stainless	12 V	Cool White	18	5 mm	~7,000K	90 lm	0.12 A
420018SW	Stainless	12 V	Warm White	18	5 mm	~3,200K	72 lm	0.12 A
420309SN	Stainless	12 V	Neutral White	9	SMD5050	~4,200K	120 lm	0.15 A
420309SB	Stainless	12 V	Blue	9	SMD5050	Blue	NA	0.15 A
420309SR	Stainless	12 V	Red	9	SMD5050	Red	NA	0.15 A
420512SN	Stainless	12 V	Neutral White	12	SMD2835	~4,200K	190 lm	0.17 A
420512SB	Stainless	12 V	Blue	12	SMD2835	Blue	NA	0.36 A
420512SR	Stainless	12 V	Red	12	SMD2835	Red	NA	0.36 A

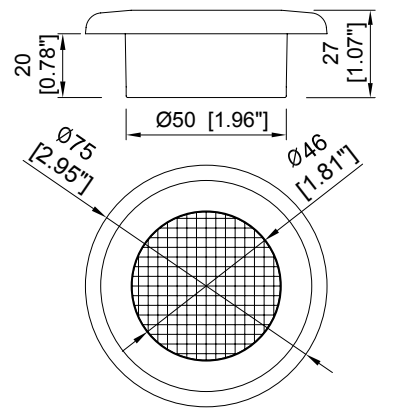
3" LED Recessed Mount Light Spot/Flood 3" LED 射灯 / 天花灯

- This Recessed Mount Light is great for cabin and compartment in boat and RV, and other suitable applications
- Chrome plated or black finish bezel performs a shiny look, white ring also available
- Clear PC lens, engineered lens optics provides a uniform and comfortable lighting beam illuminated from white LED
- SMD LEDs or super flux (P4) type LEDs
- Circuit board completely sealed in epoxy to resist water, corrosion and vibration
- Lighting color available in single color Cool White, Natural White and Red
- Rated for 12V, tested to 13.8V
- Also available in multi-voltage 10~30V operating range, or 24V by special order

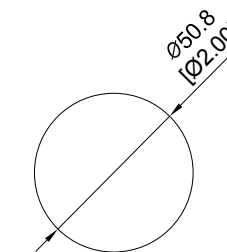


430106

Part No.	Finish	Input Voltage	Lighting Color	LED Count	LED Type	Current Draw (mA) at 13.8V	Luminous Flux
430106C	Chrome Plated	12 V	Cool White	6	P 4	40 mA	30 lm
430106CW	Chrome Plated	12 V	Natural White	6	P 4	40 mA	30 lm
430406C	Chrome Plated	12 V	Red	6	P 4	100 mA	30 lm
430106B	Black Finish	12 V	Cool White	6	P 4	40 mA	30 lm
430106BW	Black Finish	12 V	Natural White	6	P 4	40 mA	30 lm
430406B	Black Finish	12 V	Red	6	P 4	100 mA	30 lm
430709C	Chromed	12 V	Natural White	9	SMD 3528	50 mA	55 lm
430709B	Black Ring	12 V	Natural White	9	SMD 3528	50 mA	55 lm
430709W	White Ring	12 V	Natural White	9	SMD 3528	50 mA	55 lm
430809C	Chromed	12 V	Blue	9	SMD 3528	50 mA	18 lm
430809B	Black Ring	12 V	Blue	9	SMD 3528	50 mA	18 lm
430809W	White Ring	12 V	Blue	9	SMD 3528	50 mA	18 lm
430909C	Chromed	12 V	Red	9	SMD 3528	50 mA	18 lm
430909B	Black Ring	12 V	Red	9	SMD 3528	50 mA	18 lm
430909W	White Ring	12 V	Red	9	SMD 3528	50 mA	18 lm



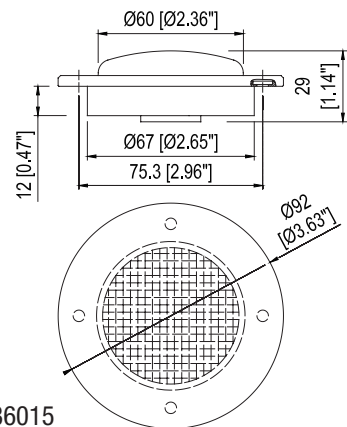
430709



CUT-OUT



436015



3-1/2" LED Recessed Mount Light 3.5" LED 塑料天花灯

- This Recessed Mount Light is ideal for interior use in boats, RV and other applications
- Clear PC Lens featured with StarView® lens pattern is uniquely designed to vastly distribute the lighting illuminated from white LEDs to a wide beam angle of no less than 120°
- Chrome plated finish bezel performs a shiny look
- Circuit board completely sealed in epoxy to resist water, corrosion and vibration
- Lighting color available in Cool White, or optional Warm White, as well as Nav. version (red night vision) of White/Red LED configuration
- Super flux (P4) type or SMD LEDs, super bright
- Rated for 12V, tested to 13.8V
- Also available in multi-voltage 10~30V operating range or 24V by special order

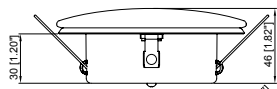
Part No.	Lighting Color	Input Voltage	LED Count	LED Type	CCT	Luminous Flux	Current Draw (A) at 13.8V
435118PW	Cool White	12 V	18	SMD3528	7,000K	108lm	0.12 A
435118PN	Neutral White	12 V	18	SMD3528	4,200K	108lm	0.12 A
435812PN	NW/Red	12 V	12W/9R	SMD3528		72/15lm	0.08/0.06 A
436015CW	Cool White	12 V	15	P4	7,000K	90lm	0.10 A
436015WW	Warm White	12 V	15	P4	3,200K	90lm	0.10 A
436609CR	Cool White/Red	12 V	9W/6R	P4		60/30lm	0.06/0.10 A

LED Ceiling Light 2.2" & 3.2" LED 玻璃天花灯

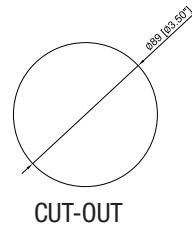


- Frosted glass lens hides the LEDs and outputs uniform flood lighting
- Steel powder coated white housing
- Ideal for interior ceiling in RVs and boats
- Up-to-date technology of super bright SMD LEDs features a comfortable Warm White lighting color
- Rated for 12V, tested to 13.8V

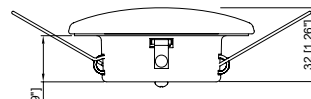
Part No.	Finish	Input Voltage	Nos. of LEDs	LED Type	Current Draw at 13.8V	Luminous Flux	Light Color
522009W	Frosted Glass	12 V	9	SMD 5050	0.16 A	150 lm	Warm White
532024W	Frosted Glass	12 V	24	SMD 5050	0.44 A	400 lm	Warm White



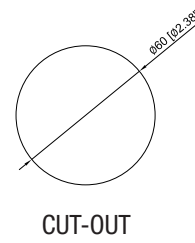
532024



CUT-OUT



522009



CUT-OUT

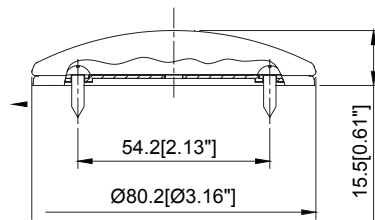
New!

Surface Mount LED Ceiling Light 表面安装天花灯



- True Surface mount, easy for installation
- Foot-print of traditional glass lens incandescent 2.2" Can Light
- Twist on or snap on frosted lens made of special PC material with light diffusion feature to hide the LED spots and distribute the light uniformly at a wide viewing angle of no less than 120°
- 12 of SMD5050 LEDs to output a total lumen of no less than 200 lm
- Fits #4 fasteners for mounting
- Rated for 12V, tested to 13.8V

Part No.	Description	Input Voltage	Typical CCT	Luminous Flux	Viewing Angle	Current Draw (mA) at 13.8V	Watts
553012W3	Surface Mount Ceiling Light Warm White	12 V	3,000 K	200 lm	≥120°	240 mA	3 W
553012W5	Surface Mount Ceiling Light Warm White	12 V	4,200K	200 lm	≥120°	240 mA	3 W

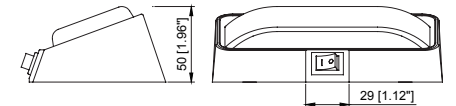
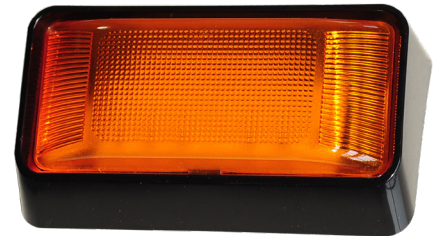


553012

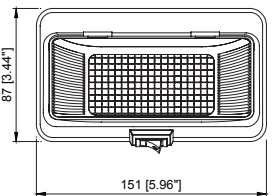
LED Porch Light LED 门廊灯

- LED version porch light features foot-print mount holes, ideal for retro-fit or replacement of the conventional porch lights on RVs
- With switch or non switch versions available, clear lens or amber lens assembled with white or black bases
- SMD5050 LEDs of up to date technology, super bright and long life span, natural white
- Circuit board completely sealed by soft epoxy to resist weather and vibration, IP64 rating
- Rated for 12V, tested to 13.8V
- Also available in 24V by special order

Part No.	Descriptions	Input Voltage	LED Qty.	Lighting Color	CCT	Current Draw (A) at 13.8V	Luminous Flux
563018W	White Base/Clear Lens, No Switch	12 V	18	N. White	~4,200K	0.36 A	220 lm
563118W	Black Base/Clear Lens, No Switch	12 V	18	N. White	~4,200K	0.36 A	220 lm
563218A	Black Base/Amber Lens, No Switch	12 V	18	Amber		0.36 A	
564018W	White Base/Clear Lens, W/ Switch	12 V	18	N. White	~4,200K	0.36 A	220 lm
564118W	Black Base/Clear Lens, W/ Switch	12 V	18	N. White	~4,200K	0.36 A	220 lm
564218A	Black Base/Amber Lens, W/ Switch	12 V	18	Amber		0.36 A	



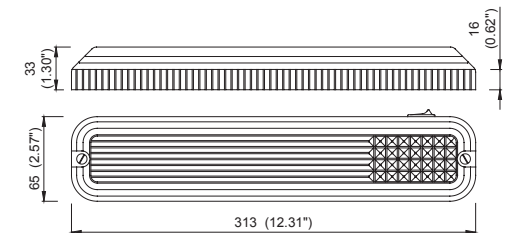
564018
563018



ECO Ceiling Light LED LED 塑料天花灯

- New LED version of this ECO Ceiling Light features excellent operation stability and reliability to eliminate disadvantages of radio interference and instability existing in the prevailing version of CFL 2U type lamp
- Surface mount, ideal for vehicle and boat interior use
- Engineered lens optics designed to distribute consistent cozy lighting illuminated from warm white LED, UV resistance
- Super flux (P4) type or SMD LEDs, super bright, long life span up to 100,000hours
- Circuit board completely sealed in epoxy to resist moisture, corrosion and vibration
- Rated for 12V, tested to 13.8V
- Also available in 24V by special order

Part No.	Input Voltage	LED Count	Light Color	LED Type	Color Temp.	Current Draw (mA) at 13.8V	Lumen Output
629436W	12 V	36	Warm White	P4	~4,200K	200 mA	160 lm
629472W	12 V	72	Warm White	3528	~4,200K	600 mA	350 lm



629436

New!



518006W



518106W



518126W



518206W

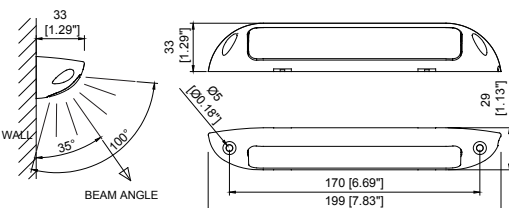


518226W

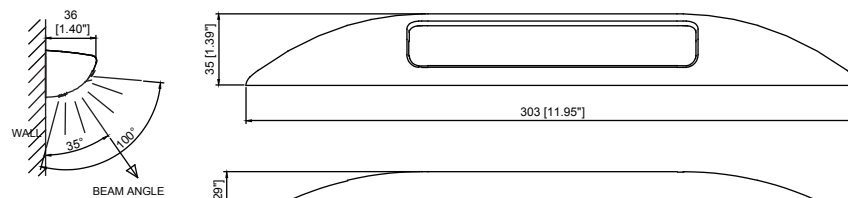
Slim LED Awning/Porch Light LED 雨棚灯 / 门廊灯

- Surface mount, ideal for RVs and other vehicles as an awning light, porch light and auxiliary lighting for general purpose
- Die cast aluminum Housing, black powder coated; also available in white
- Plastic (ABS) Cover, available in black or chromed finishes, optional versions of Cover with or without switch
- PC lens plus engineered reflector to direct the light beam downwards with an angle of no less than 100° to shine a desired wide area
- (6) of Super bright hi-power LEDs in cool white color, LED circuitry with constant current regulated
- LED circuit boards are completely sealed by epoxy to ensure its water proof feature, IP65 rated
- Foam gasket and SS screws are included for mounting
- Rated for 10-30V multi-voltage operation range

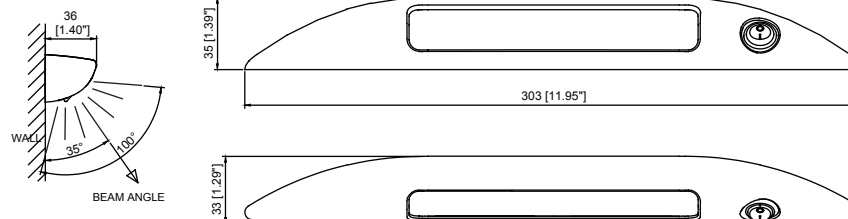
Part No.	Description	Input Voltage	Luminous Flux	Typical CCT	Viewing Angle	Current Draw/Watts (13.8V)
518006W	Black Powder Coated Housing, White LED Lighting Color	10~30V	450 lm	7,000 K	100°	0.46A/6.5W
518006WW	White Powder Coated Housing, White LED Lighting Color	10~30V	450 lm	7,000 K	100°	0.46A/6.5W
518106W	Black Plastic Cover, White LED Lighting Color	10~30V	450 lm	7,000 K	100°	0.46A/6.5W
518126W	Chromed Plastic Cover, White LED Lighting Color	10~30V	450 lm	7,000 K	100°	0.46A/6.5W
518206W	Black Plastic Cover w/ Switch, White LED Lighting Color	10~30V	450 lm	7,000 K	100°	0.46A/6.5W
518226W	Chromed Plastic Cover w/ Switch, White LED Lighting Color	10~30V	450 lm	7,000 K	100°	0.46A/6.5W



518006W



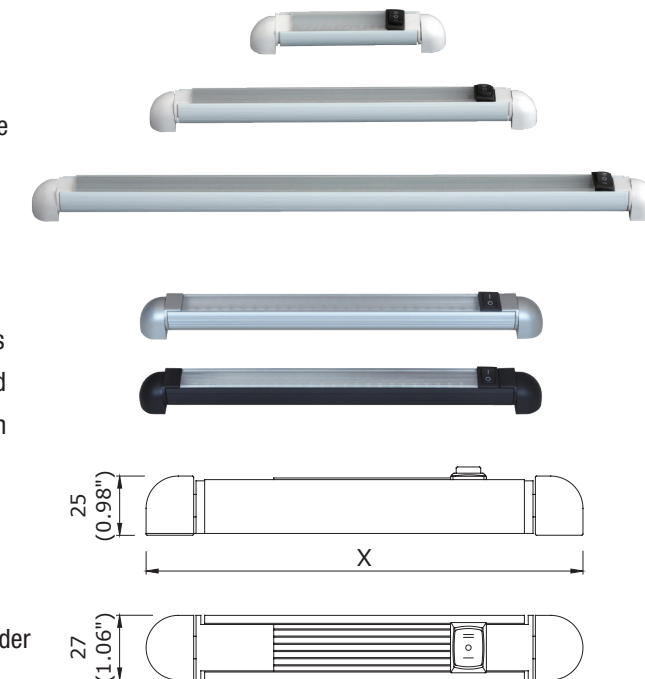
518106W/518126W



518206W/518226W

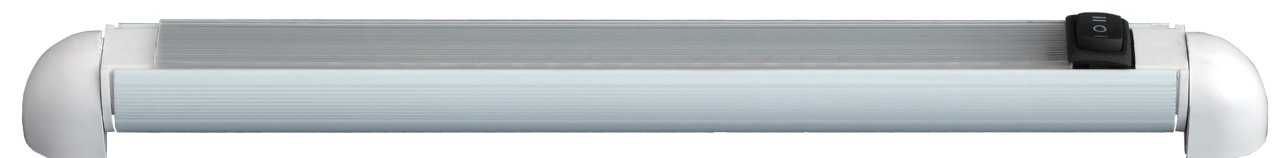
6"/12"/18" LED Rail Light 6"/12"/18" LED 导轨灯

- This series of the lights feature rotating function to adjust the light to any desired direction, reinforced plastic end mount tightly holds the light in place
- Aluminum extrusion rail, finishes available in powder coated White, painted Black and Silver
- Frosted plastic lens with featured lens pattern to enhance uniform lighting distribution
- 5mm LEDs or SMD LEDs, super bright and long life span up to 50,000 hours
- Lighting color available in Cool White, Natural White, Nav. version (White/Red night vision) and Dual Color White/Blue version. Other colors or configuration by special order.
- Circuit board coated with conformal coating to resist moisture, corrosion and vibration
- Rated for 12V, tested to 13.8V
- Also available in 10~30V multi-voltage operation range or 24V by special order

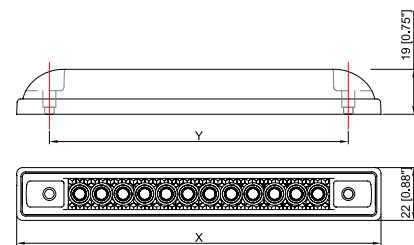


Part No.	Length	Finish	Input Voltage	LED Count	Light Color	LED Type	CCT	Luminous Flux	Current Draw (A) at 13.8V
620612W	6" (150mm)	White	12 V	12	Cool White	5 mm	7,000K	48 lm	0.08 A
620612B	6" (150mm)	Black	12 V	12	Cool White	5 mm	7,000K	48 lm	0.08 A
620612V	6" (150mm)	Silver	12 V	12	Cool White	5 mm	7,000K	48 lm	0.08 A
620615WN	6" (150mm)	White	12 V	15	Neutral White	SMD	4,200K	75 lm	0.10 A
621224W	12" (300mm)	White	12 V	24	Cool White	5 mm	7,000K	96 lm	0.16 A
621224B	12" (300mm)	Black	12 V	24	Cool White	5 mm	7,000K	96 lm	0.16 A
621224V	12" (300mm)	Silver	12 V	24	Cool White	5 mm	7,000K	96 lm	0.16 A
621230WN	12" (300mm)	White	12 V	30	Neutral White	SMD	4,200K	150 lm	0.20 A
621836W	18" (450mm)	White	12 V	36	Cool White	5 mm	7,000K	144 lm	0.24 A
621836B	18" (450mm)	Black	12 V	36	Cool White	5 mm	7,000K	144 lm	0.24 A
621836V	18" (450mm)	Silver	12 V	36	Cool White	5 mm	7,000K	144 lm	0.24 A
621845WN	18" (450mm)	White	12 V	45	Neutral White	SMD	4,200K	225 lm	0.30 A
620609WB	6" (150mm)	White	12 V	9/9	N. White/Blue	SMD	4,200K/Blue	120/14lm	0.16 A
621218WB	12" (300mm)	White	12 V	18/18	N. White/Blue	SMD	4,200K/Blue	250/28lm	0.30 A
621830WB	18" (450mm)	White	12 V	30/30	N. White/Blue	SMD	4,200K/Blue	400/46lm	0.50 A

620612, X=156 (6.14")
621224, X=298 (11.73")
621836, X=456 (17.95")



4" /6" /8" Slim Line LED Utility Light 4" /6" /8" LED 长条灯



108506 X=102 [4.00"] Y=76 [3.00"]
108712 X=155 [6.09"] Y=127 [5.00"]
108918 X=205 [8.07"] Y=178 [7.00"]

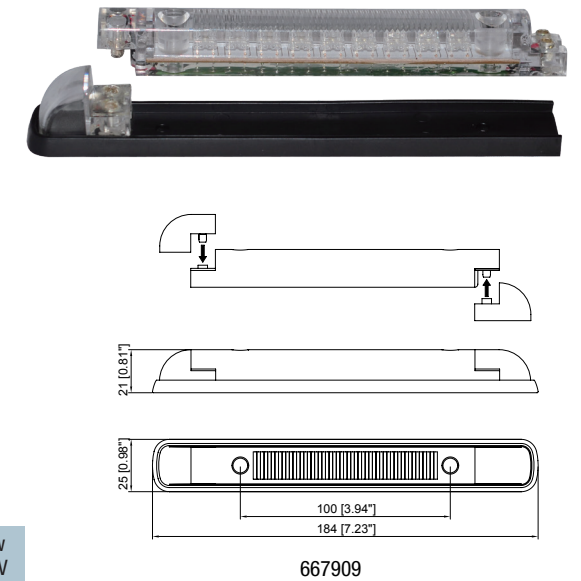
- This surface mount Slim Line LED Light features engineered lens optics; red models can function as identification light and third brake light; Clear, Green and Blue colors are ideal for lighting or decorating interior and exterior of boats, RV and other vehicles
- Black rubber gasket included for mounting to all surfaces
- Two bare end wires of 6" (15mm) length, separate lead wire and ground wire
- Super flux (P4) type LED, super bright
- LED circuitry is completely potted by epoxy to ensure permanent and water proof seal, Submersible!
- Red models meet DOT FMVSS 108/SAE requirements for identification and third brake light
- Rated for 12V, tested to 13.8V
- Also available in multi-voltage 10~30V operating range or 24V by special order

Part No.	Description	Input Voltage	Lighting Color	Lens Color	LED Count	LED Type	Current Draw (mA) at 13.8V
108506R	4" Light Red	12 V	Red	Clear	6	P4	100 mA
108506A	4" Light Amber	12 V	Amber	Clear	6	P4	100 mA
108506C	4" Light Clear	12 V	Clear	Clear	6	P4	40 mA
108506G	4" Light Green	12 V	Green	Clear	6	P4	40 mA
108506B	4" Light Blue	12 V	Blue	Clear	6	P4	40 mA
108506RR	4" Light Red/Red	12 V	Red	Red	6	P4	100 mA
108506AA	4" Light Amber/Amber	12 V	Amber	Amber	6	P4	100 mA
108712R	6" Light Red	12 V	Red	Clear	12	P4	200 mA
108712A	6" Light Amber	12 V	Amber	Clear	12	P4	200 mA
108712C	6" Light Clear	12 V	Clear	Clear	12	P4	80 mA
108712G	6" Light Green	12 V	Green	Clear	12	P4	80 mA
108712B	6" Light Blue	12 V	Blue	Clear	12	P4	80 mA
108712RR	6" Light Red/Red	12 V	Red	Red	12	P4	200 mA
108712AA	6" Light Amber/Amber	12 V	Amber	Amber	12	P4	200 mA
108918R	8" Light Red	12 V	Red	Clear	18	P4	300 mA
108918A	8" Light Amber	12 V	Amber	Clear	18	P4	300 mA
108918C	8" Light Clear	12 V	Clear	Clear	18	P4	120 mA
108918G	8" Light Green	12 V	Green	Clear	18	P4	120 mA
108918B	8" Light Blue	12 V	Blue	Clear	18	P4	80 mA
108918RR	8" Light Red/Red	12 V	Red	Red	18	P4	300 mA
108918AA	8" Light Amber/Amber	12 V	Amber	Amber	18	P4	300 mA

EZ Connect Utility Strip Light LED 快速连接 LED 多级条灯

- This surface mount Utility Strip Light features unique snap-to-fit terminals that can connect multiple units together for a desired length, maximum 6 units with one power connector. Great for use in cabin, locker, engine compartment or other interior and exterior.
- Detachable terminals are perfectly made to resist corrosion and moisture
- Black rubber gasket included for mounting to all surfaces; ready to install for single unit use, and cut-to-fit (cut along the slot on the gasket) for connecting multiple units
- 9 LEDs of super flux (P4) type, super bright
- LED circuitry is completely potted by epoxy to ensure permanent and water proof seal
- Two bare end wires of 6" (15mm) length, separate lead wire and ground wire
- Rated for 12V, tested to 13.8V

Part No.	Length	Input Voltage	Light Color	Lens Color	LED Count	Current Draw (mA) at 13.8V
667909C	EZ Connect Strip Light Clear	12 V	Cool White	Clear	9	60 mA
667909B	EZ Connect Strip Light Blue	12 V	Blue	Clear	9	60 mA
667909G	EZ Connect Strip Light Green	12 V	Green	Clear	9	60 mA



Portable LED Bimini Light LED 便携式 BIMINI 灯

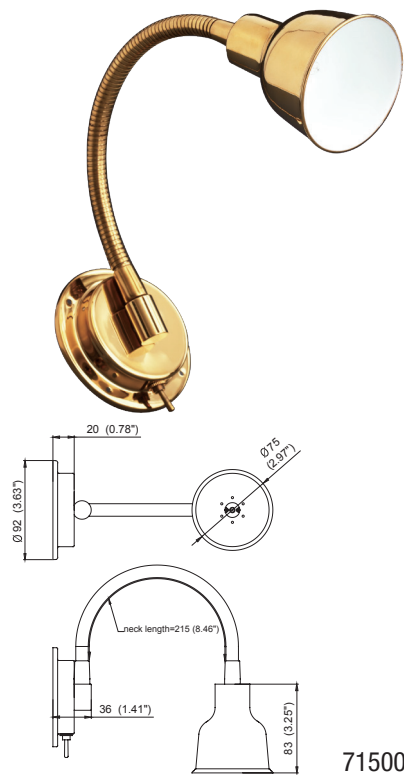
- (9) Cool White LEDs of super flux type, powered by (3) AAA batteries
- Portable and convenient for any applications where hard wiring to power source is difficult to access. Ideal for Bimini Top, T-Top, Rail or any place where an auxiliary lighting is needed.
- The light can be easily installed with hook and loop straps, and direction of light is adjustable.
- With push on switch on one side
- Water proof
- Approximate running time in normal use by 3x AAA batteries: 12 hours

Part No.	Light Color	LED Count	LED Type	CCT	Luminous Flux
630809	Cool White	9	P4	~7,000K	45 lm



Flexible Berth Light 船舱地图灯

- Highly polished solid brass material, available in finishes of TiN plated (golden color) , Chrome Plated and Brass Lacquered
- Traditional style of the base and the shade
- 9" (230mm) long flexible neck and toggle switch provide easy operation and free adjustment of lighting direction
- Ideal for reading and chart work
- G4 Xenon bulb, 12V 10W; life span no less than 2,000 hours
- Also available in version of SMD3528; long life span no less than 50,000 hours



715000

Swivel Berth Light 船舱阅读灯

- Highly polished solid brass material, available in finishes of TiN plated (golden color) , Chrome Plated and Brass Lacquered
- Smaller and lighter design than traditional reading light makes it more attractive and beautiful
- White reflective painting inside the shade diffuses full light of the light bulb
- Swivel joint between the post and the shade provides easy adjustment of lighting direction
- Ideal anywhere for reading
- G4 Xenon bulb, 12V 10W; life span no less than 2,000 hours.
- Also available in version of SMD3528; long life span no less than 50,000 hours



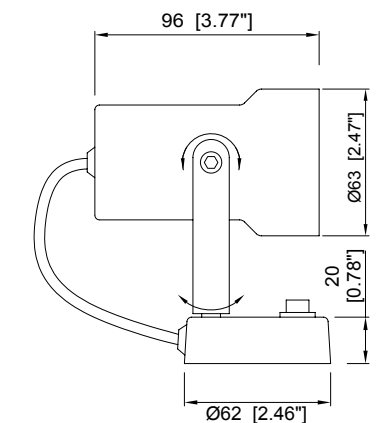
715200

Part No.	Luminous Intensity	Finish	Bulb Type	Power Consumption
715200T		TiN Plated, Golden Color	G4, Xenon, 12V 10W	10 W
715200C		Chrome Plated	G4, Xenon, 12V 10W	10 W
715200B		Brass Lacquered	G4, Xenon, 12V 10W	10 W
715224T	120 lm	TiN Plated, Golden Color	24 x SMD 3528, 12V	2 W
715224C	120 lm	Chrome Plated	24 x SMD 3528, 12V	2 W
715224B	120 lm	Brass Lacquered	24 x SMD 3528, 12V	2 W

Swivel Cabin Light LED 可旋转 LED 机舱灯

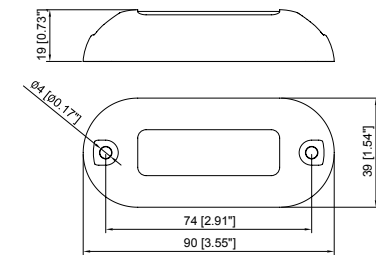
- Finishes available in highly polished 304SS, TiN Plated and White Coated finishes
- Ideal for cabin use and other applications as a spot light
- Sealed LED module with up-to-date technology of super bright SMD LEDs features a cozy warm white lighting color
- Low current drawing of approx.1/10 of conventional halogen/xenon bulb
- Long life expectancy up to 50,000 hours
- Rated for 12V, tested to 13.8V
- Economic halogen bulb type is available

Part No.	Description	Input Voltage	LED Count	Lighting Color	LED Type	Current Draw (mA) at 13.8V	Luminous Flux
722024S	Polished SS	12 V	24	Warm White	SMD 3528	0.135 A	120 lm
722024T	TiN Plated	12 V	24	Warm White	SMD 3528	0.135 A	120 lm
722024A	White Coated	12 V	24	Warm White	SMD 3528	0.135 A	120 lm
722000A	White Coated	12 V	1x20W	White	MR16	1.45 A	300 lm



722024

Oval LED Underwater Light LED 水底灯

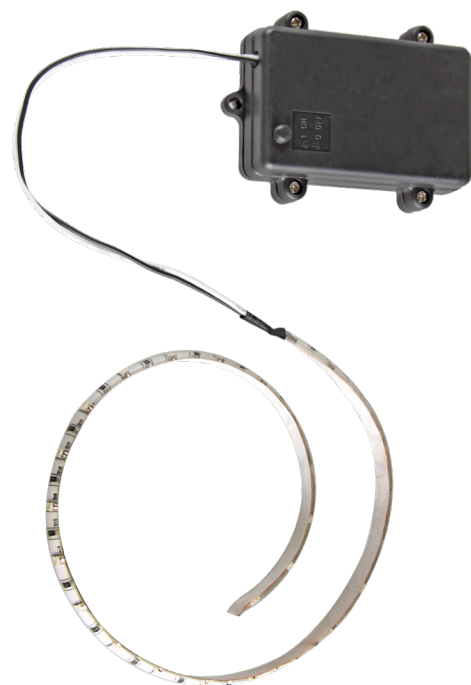


813506

- 316 stainless steel Cover, surface mount
- Engineered lens optics to focus the light to a spot beam
- 6 LEDs, super bright, long life span up to 50,000hours
- Light unit completely sealed in epoxy to be submersible, IP68 rating
- 3 feet/0.9 meter long sleeved lead wire
- Mounting accessories (back-up rubber gasket and SS screws) included
- Ideal for marine, swimming pool and landscaping
- Rated for 12V, tested to 13.8V
- Also available in multi-voltage 10~30V operating range or 24V by special order

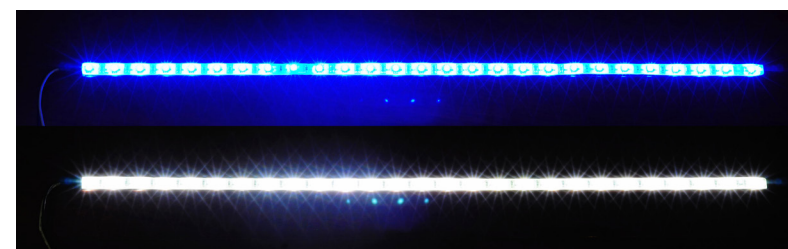
Part No.	Input Voltage	LED Count	Beam Angle	Luminous Flux	Light Color	Current Draw at 13.8V	IP Rating
813506C	12V	6	30°	125 lm	Cool White	170 mA	IP68
813506B	12V	6	30°		Blue	170 mA	IP68
813506G	12V	6	30°		Green	170 mA	IP68

Flex Strip Light Kit Battery Powered with Motion Sensor 移动感应电池驱动软灯条



- 18" (46 cm) LED flexible strip light with 3M adhesive backing tape, water proof
- No wiring needed, powered by 3 AA batteries, continuously running up to 24 hours
- Also available in optional Motion Sensor version; switch to "Auto" position to activate motion sensor and the light automatically turns on approximately 2 meters away when approaching; turns off in 5 minutes
- On/Auto/Off slide switch, water proof. "On"=steady on, "Auto"=Motion Sensor
- 3M double sided tape on the backside of battery case for easy installation
- Ideal for accent, pickup truck bed and wherever a temporary lighting is needed

Part No.	Description	Lighting Color	Input Voltage	LED Count	LED Type	Luminous Flux	IP Rating
826027W	Regular On/Off	Cool White	3 AA - 4.5V	27	SMD3528	135 lm	IP64
826027B	Regular On/Off	Blue	3 AA - 4.5V	27	SMD3528	NA	IP64
827027W	w/ Motion Sensor	Cool White	3 AA - 4.5V	27	SMD3528	135 lm	IP64
827027B	w/ Motion Sensor	Blue	3 AA - 4.5V	27	SMD3528	NA	IP64



Flexible LED Light Strip Waterproof 防水 LED 软灯条

- Completely sealed by transparent PU epoxy, water proof IP65 rating and UV resistant
- 3M double sided backing tape
- Two lead wires, each 8"/20cm long
- Constant working current to ensure long life span of the LEDs
- Ideal for boats, vehicles and decoration

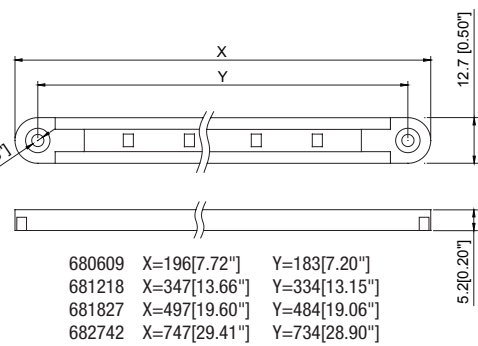
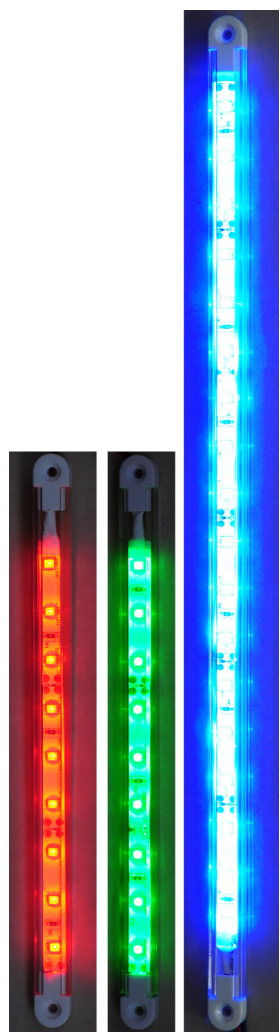
Part No.	Input Voltage	Length inch/cm	Lighting Color	LED Type	LED Count	Beam Angle	Luminous Flux	Watts	Current Draw
852728B	12V	27"/68cm	Blue	3528	42	120°	80 lm	3.0	20ma
852728CW	12V	27"/68cm	CW 8,000K	3528	42	120°	315 lm	3.3	20ma
855128B	12V	51"/130cm	Blue	3528	78	120°	150 lm	4.6	20ma
855128CW	12V	51"/130cm	CW 8,000K	3528	78	120°	560 lm	4.6	20ma
857428B	12V	74"/189cm	Blue	3528	114	120°	220 lm	6.5	20ma
857428CW	12V	74"/189cm	CW 8,000K	3528	114	120°	850 lm	6.8	20ma
862750B	12V	27"/68cm	Blue	5050	42	120°	240 lm	12	60ma
862750CW	12V	27"/68cm	CW 8,000K	5050	42	120°	750 lm	12	60ma
865150B	12V	51"/130cm	Blue	5050	78	120°	430 lm	22	60ma
865150CW	12V	51"/130cm	CW 8,000K	5050	78	120°	1400 lm	23	60ma
867450B	12V	74"/189cm	Blue	5050	114	120°	627 lm	25	60ma
867450CW	12V	74"/189cm	CW 8,000K	5050	114	120°	2000 lm	27	60ma



LED Flex Light with Mounting Track 6", 12", 18", 27.4" LED 软灯条带透明安装导轨 6", 12", 18", 27.4"

- Flexible LED Light Strip includes mounting track and plastic end mounts, as well as 3M double sided adhesive tape on the back of track, fits all curved surfaces and contours, and is ideal for auxiliary lighting on boats, kayaks and vehicles. 6" & 12" Navigation Kit of Green & Red colors is great for kayak to enhance its night time safety
- Standard black plastic end mounts (white ends by special order)
- SMD LED of up-to-date technology, super bright
- Completely sealed by clear epoxy to ensure a permanent water proof and UV resistance, IP65 rated
- Rated for 12V, tested to 13.8V

Part No.	Description	Length	LED Qty	Input Voltage	LED Type	Lighting Color& CCT	Current Draw(A) at 13.8V	Luminous Flux
680609B	6" Blue	6" (150mm)	9	12V	SMD3528	Blue	0.06 A	45 lm
680609C	6" Cool White	6" (150mm)	9	12V	SMD3528	7,000 K	0.06 A	45 lm
680609G	6" Green	6" (150mm)	9	12V	SMD3528	Green	0.06 A	45 lm
680609R	6" Red	6" (150mm)	9	12V	SMD3528	Red	0.06 A	45 lm
680629GR	6" Kit, one Green & one Red	6" (150mm)	9+9	12V	SMD3528	Green/Red	0.12 A	90 lm
681218B	12" Blue	12"(300mm)	18	12V	SMD3528	Blue	0.12 A	90 lm
681218C	12" Cool White	12"(300mm)	18	12V	SMD3528	7,000 K	0.12 A	90 lm
681218G	12" Green	12"(300mm)	18	12V	SMD3528	Green	0.12 A	90 lm
681218R	12" Red	12"(300mm)	18	12V	SMD3528	Red	0.12 A	90 lm
681218GR	12" Kit, one Green & one Red	12"(300mm)	18+18	12V	SMD3528	Green/Red	0.24 A	180 lm
681827B	18" Blue	18"(450mm)	27	12V	SMD3528	Blue	0.18 A	135 lm
681827C	18" Cool White	18"(450mm)	27	12V	SMD3528	7,000 K	0.18 A	135 lm
681827G	18" Green	18"(450mm)	27	12V	SMD3528	Green	0.18 A	135 lm
681827R	18" Red	18"(450mm)	27	12V	SMD3528	Red	0.18 A	135 lm
682742B	27" Blue	27.4"(696mm)	42	12V	SMD3528	Blue	0.28 A	210 lm
682742C	27" Cool White	27.4"(696mm)	42	12V	SMD3528	7,000 K	0.28 A	210 lm
682742G	27" Green	27.4"(696mm)	42	12V	SMD3528	Green	0.28 A	210 lm
682742R	27" Red	27.4"(696mm)	42	12V	SMD3528	Red	0.28 A	210 lm
682742CB	27" Cool White/Blue	27.4"(696mm)	42	12V	SMD3528	CW/Blue	0.28 A	210 lm
682742CG	27" Cool White/Green	27.4"(696mm)	42	12V	SMD3528	CW/Green	0.28 A	210 lm

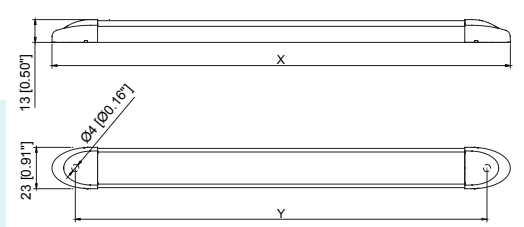


New!

Universal LED Linear Light 多用途铝合金条灯

- Surface mount LED linear light, ideal for general purpose lighting, marine, vehicular and more
- Housing of aluminum alloy extrusion in finishes by electrical coating, finish colors available in white or black
- Frosted PC lens with light diffusion feature to generate a soft and uniform distribution of lighting
- Viewing angle no less than 120°, referring to the diagram
- Super bright SMD5630 LEDs in cool white color, also available in other color temperatures or other colors upon request
- LED circuit boards are completely sealed by epoxy to ensure its water proof feature, IP65 rated
- #6 SS fasteners included for mounting
- Rated for 12V, tested to 13.8V

Part No.	Description	LED Qty	Input Voltage	Luminous Flux	Lighting Color	Typical CCT	Current Draw(A) at 13.8V	Watts
670609VC	6" (150mm) Silver Finish, Black End	9	12 V	160 lm	Cool White	7,000 K	0.19 A	2.7W
670812VC	8" (200mm) Silver Finish, Black End	12	12 V	210 lm	Cool White	7,000 K	0.26 A	3.6W
671218VC	12"(300mm) Silver Finish, Black End	18	12 V	320 lm	Cool White	7,000 K	0.38 A	5.3W
671827VC	18"(450mm) Silver Finish, Black End	27	12 V	470 lm	Cool White	7,000 K	0.56 A	7.7W
670609BC	6" (150mm) Black Finish	9	12 V	160 lm	Cool White	7,000 K	0.19 A	2.7W
670812BC	8" (200mm) Black Finish	12	12 V	210 lm	Cool White	7,000 K	0.26 A	3.6W
671218BC	12" (300mm) Black Finish	18	12 V	320 lm	Cool White	7,000 K	0.38 A	5.3W
671827BC	18" (450mm) Black Finish	27	12 V	470 lm	Cool White	7,000 K	0.56 A	7.7W
670609SC	6" (150mm) Black Finish, SS End Cap	9	12 V	160 lm	Cool White	7,000 K	0.19 A	2.7W
670812SC	8" (200mm) Black Finish, SS End Cap	12	12 V	210 lm	Cool White	7,000 K	0.26 A	3.6W
671218SC	12" Black Finish, SS End Cap	18	12 V	320 lm	Cool White	7,000 K	0.38 A	5.3W
671827SC	18" Black Finish, SS End Cap	27	12 V	470 lm	Cool White	7,000 K	0.56 A	7.7W



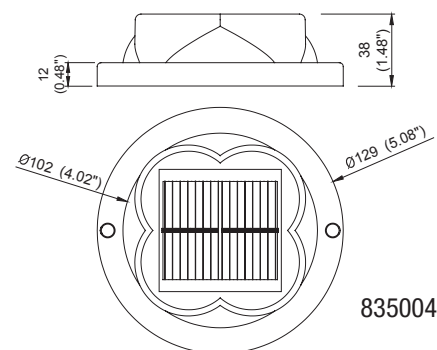
670609 X=152[6.00"] Y=126[5.00"]
 670812 X=203[8.00"] Y=177[7.00"]
 671218 X=305[12.00"] Y=279[11.00"]
 671827 X=457[18.00"] Y=431[17.00"]



Solar Dock Light LEDs LED 太阳能码头灯



- Convenient and easy, great for use at dock
- Weather proof and shock resistant construction
- Solar powered, solar panel directly charges the rechargeable batteries
- Automatically turns on at dark, steady-on mode
- Battery running time after fully charged: 8~10 hours
- Batteries: 2 X AA, Ni-MH rechargeable, environment friendly



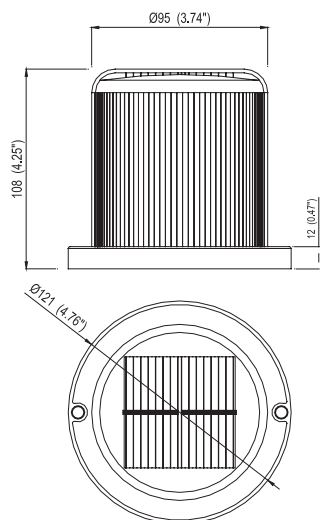
Part No.	LED Count	Light Color	Solar Panel
835004W	4	Cool White	Built in on the Light Top

835004

3.75" Solar Warning Light LEDs LED 太阳能警示灯



- Convenient and easy, great for use at dock and on boats
- Weather proof and shock resistant construction
- Solar powered, solar panel directly charges the rechargeable batteries
- Automatically turns on at dark, each light may be set on as steady on mode, slow flash (15 times/minute), or fast flash (60 times/minute)
- Battery running time fully charged for Steady-on mode: 8~10 hours
- Batteries: 2 X AA, Ni-MH rechargeable, environment friendly



837504

Part No.	LED Count	Light Color	Modes
837504W	4	Cool White	Steady-on, Slow Flash, or Fast Flash
837504R	4	Red	Steady-on, Slow Flash, or Fast Flash
837504G	4	Green	Steady-on, Slow Flash, or Fast Flash

New!

Motion Sensor LED Solar Lights, Wall Mount 人体感应 LED 太阳能壁灯

- All lights have motion sensor built in, automatically activated to turn on when a person approaches within detection range of about 5 meters away
- Wall mount type
- SMD2835 LEDs, flood light beam, viewing angle no less than 120°
- PC+ABS plastic housing, weather proof and IP 65 rated
- Solar powered, solar panel directly charges the rechargeable batteries; 6 hours minimum charging time required (directly exposed to sunlight)
- Expected running time after batteries fully charged: no less than 10 hours. Running time varies to weather conditions and direction of solar panel facing up
- Lithium iron phosphate batteries included, long life span of no less than 5 years
- Optional operation modes: (to be selected and set on demand before use, see instructions on product package)
 - 1, Hi/Low Mode**-Automatically turns on when being activated, dims to approx. 20% of original light output in 15 seconds after a person leaves beyond the range and continues lighting on.(Recommended mode)
 - 2, On/Off Mode**- Automatically turns on when being activated, turns off in 15 seconds after a person leaves beyond the range. (Recommended for temporary lighting)
 - 3, Steady On Mode**-Motion sensor is off, the light works all the time till the battery runs out.
 - 4, Emergency Mode**-Automatically turns on for 30 minutes in case of emergency such as power outage and night activities.

5, Off Mode

Part No.	Finish	Solar Panel	LED Count	Lighting Color	CCT	Luminous Flux	Rated Power	Overall Size
821605BL4	Black	5.5V 0.55W	16	Natural White	4,000 K	260 lm	2.5 Watts	115*115*30mm
821605BL6	Black	5.5V 0.55W	16	Cool White	6,000 K	260 lm	2.5 Watts	115*115*30mm
821618BL3	Black	4.5V 1.2W	25	Warm White	3,000 K	350 lm	2.5 Watts	170*85*46mm
821618BL6	Black	4.5V 1.2W	25	Cool White	6,000 K	350 lm	2.5 Watts	170*85*46mm
821806BL4	Black	5.0V 3.2W	48	Natural White	4,000 K	900 lm	6.8 Watts	165*170*45mm
821806BL6	Black	5.0V 3.2W	48	Cool White	6,000 K	900 lm	6.8 Watts	165*170*45mm
821820WH4	White	4.8V 0.9W	16	Natural White	4,000 K	420 lm	2.8 Watts	110*110*45mm
821820WH6	White	4.8V 0.9W	16	Cool White	6,000 K	420 lm	2.8 Watts	110*110*45mm



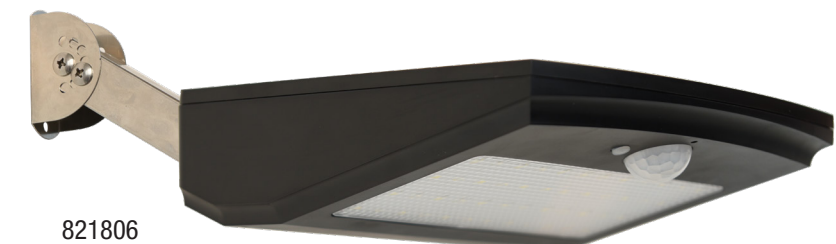
821605



821618



821820



821806

LED Work Light LED 工作灯

- CREE or Epistar LEDs, up-to-date technology
- Die cast aluminum housing, black powder coated finish, PC (polycarbonate) lens
- Stainless steel mounting hardware included
- Multi-volt (12-30V) input to adapt 12V or 24V power system
- Water proof and weather resistant

Part No.	Descriptions	Power	Input Voltage	LED Qty.	LED Brand	Nominal Lumen Output	Beam Type	CCT	IP Rating	Overall Size
932010RF	2-1/4" Round	10W	10~32V	1X10W	CREE	1000lm	Flood	6,000K	IP68	57*57*65mm
932010SF	2-1/4" Square	10W	10~32V	1X10W	CREE	1000lm	Flood	6,000K	IP68	57*57*65mm
933012RF	3.3" Round	12W	12~30V	4X3W	CREE	840lm	Flood	6,000K	IP68	83*76*109mm
934018RF	4.4" Round surface mount	18W	12~48V	6X3W	CREE	960lm	Flood	6,000K	IP67	111*111*51mm
934024RF	4.5" ROUND	24W	10~32V	8X3W	CREE	1750lm	Flood	6,000K	IP68	114*114*45mm
935018RF	4.5" Round	18W	12~30V	6X3W	CREE	1300 lm	Flood	6,000K	IP67, IP6K9K	115*115*64mm
935024SF	4.3" Square	24W	10~32V	8X3W	CREE	1750 lm	Flood	6,000K	IP68	110*110*51mm
936018RF	6.3"x2" Rect.	18W	12~30V	6X3W	CREE	1260lm	Flood	6,000K	IP67	160*68.5*51mm
936027SF	4-1/4" Square	27W	12~30V	9X3W	CREE	2150 lm	Flood	6,000K	IP67	108*65*145mm
930012RF	6" Rect.	12W	10~30V	4X3W	CREE	900lm	Flood	6,000K	IP67	147*56*28mm



932010RF
10W



932010SF
10W



933012RF
12W



934018RF
18W



934024RF
24W



935018RF
18W



935024SF
24W



936018RF
18W



930012RF
12W



936027SF
27W